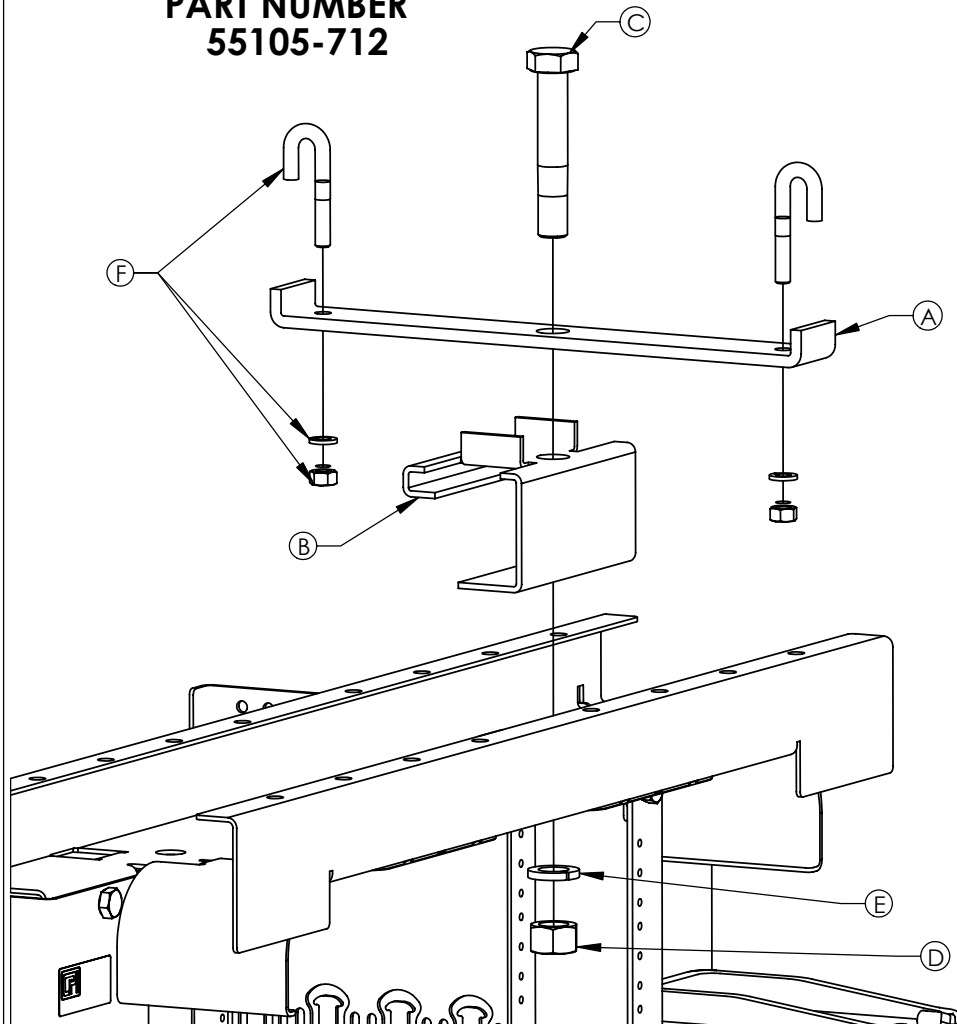


Item	Quantity	Component Description
A	1	Cable Runway Bracket (12", 15", 18" or 24")
B	1	Attachment Bracket, HDPF
C	1	5/8"-11 x 3 1/2 Hex Bolt
D	1	5/8"-11 Hex Nut
E	1	5/8" Lock Washer
F	1	J-Bolt Kit (incl. 2 J-Bolts, 2 Hex Nuts & 2 Lock Washers)

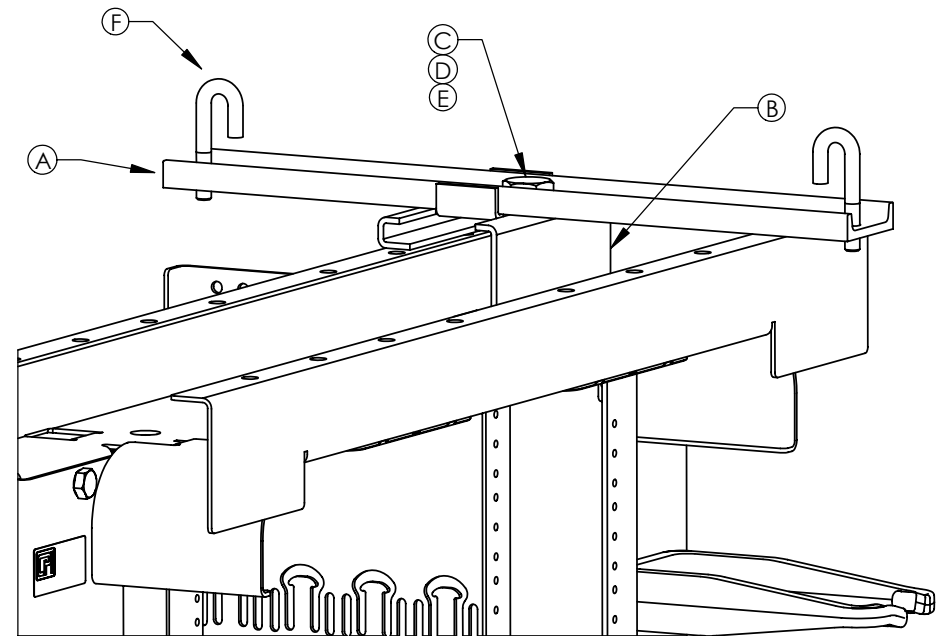
INSTRUCTIONS

- Step 1** Place 5/8" Hex Bolts (C) through the Cable Runway Bracket (A), Attachment Bracket (B) and High Density Patching Frame top trough. Secure with 5/8" Hex Nut (D) and Lock Washer (E), using 15/16" socket and combination wrench.
- Step 2** Secure Cable Runway to Bracket with J-Bolt Kit (F), using 1/2" combination wrench.

**PART NUMBER
55105-712**



**PART NUMBER
55105-715, 718, 724**



CPI CHATSWORTH PRODUCTS, INC.

**RUNWAY MOUNTING KIT,
HIGH DENSITY
PATCHING FRAME**

THIS DRAWING CONTAINS INFORMATION PROPRIETARY TO CHATSWORTH PRODUCTS, INC. ANY REPRODUCTION DISCLOSURE OR USE OF THIS DRAWING IS EXPRESSLY FORBIDDEN EXCEPT AS AGREED TO IN WRITING BY CHATSWORTH PRODUCTS, INC.