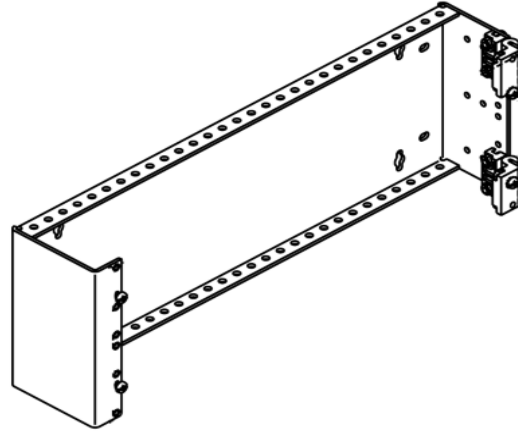


# Product Cut Sheet

## HINGED PANEL MOUNTING BRACKET

Provides easy access to back of wall or rack-mounted panels.

- Can be mounted to open left or right
- Available in 2, 3, 4, 5 or 6 mounting space, 1.75"H (44.45 mm), 4" or 8"D (100 mm or 200 mm) and 19"W
- Mounting hardware not included; supports up to 30 lb (13.6 kg) load



Part Number	Description	Shipping Weight lb (kg)
11521-X04	3.50 (88.9), 2U High, 4 (100) Deep	2 (0.9)
11522-X04	5.25 (133.4), 3U High, 4 (100) Deep	2 (0.9)
11523-X04	7.00 (177.8), 4U High, 4 (100) Deep	2 (0.9)
11524-X04	8.75 (222.3), 5U High, 4 (100) Deep	2 (0.9)
11525-X04	10.5 (267.0), 6U High, 4 (100) Deep	2 (0.9)

*X=color: 1=Gray, 2=Computer Beige, 5=Clear, 7=Black, E=Glacier White.  
Also available in 8"D (200 mm), (-X08).*

800-834-4969 in U.S. & Canada • [www.chatsworth.com](http://www.chatsworth.com)



CHATSWORTH PRODUCTS

©2013 Chatsworth Products, Inc. All rights reserved. CPI, CPI Passive Cooling, GlobalFrame, MegaFrame, Saf-T-Grip, Seismic Frame, SlimFrame, TeraFrame, Cube-IT Plus, Evolution, OnTrac, Velocity and QuadraRack are federally registered trademarks of Chatsworth Products. eConnect and Simply Efficient are trademarks of Chatsworth Products. All other trademarks belong to their respective companies. 6/13