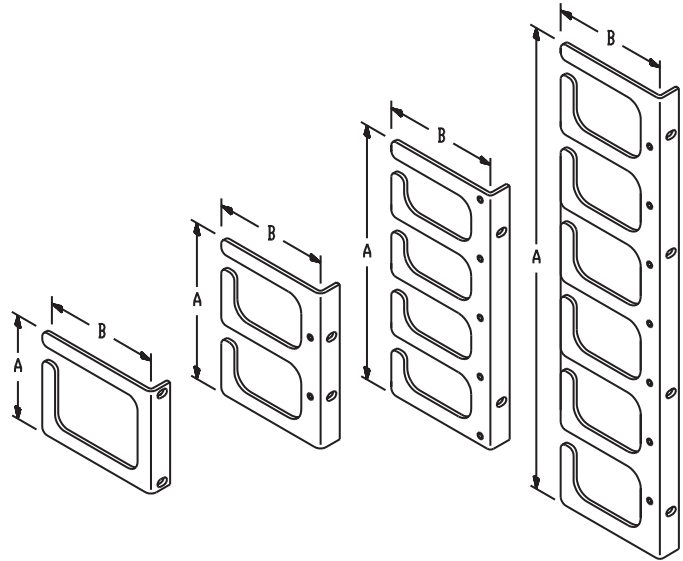


Product Information Sheet

HORIZONTAL CABLE GUIDES (RACK-MOUNTED)

Rack-mounted cable guides organize multiple horizontal cable runs. Designed to use with most rack mounted panels.

- Slotted loop design makes cable installation and changes quick and simple
- Made of thick aluminum and black plastic dipped to reduce cable insulation damage
- Sold in matching pairs
- Threaded side holes allow mounting of our vertical cable loop (P/N 10683-001)



Part Number	Description	Dim. A	Dim. B
10419-001	One Loop	3.46"	4.25"
11157-001	Two Loop	5.25"	3.88"
11154-001	Four Loop	8.60"	3.88"
11153-001	Six Loop	15.60"	3.88"

800-834-4969 in US & Canada • www.chatsworth.com



CHATSWORTH PRODUCTS, INC.

©2002 Chatsworth Products, Inc. 5/02/GT