

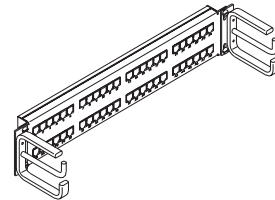
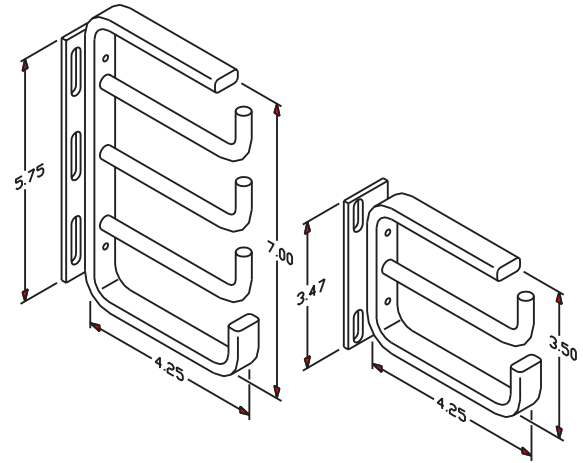
Product Information Sheet

HORIZONTAL CABLE GUIDE FOR ACTIVE ELECTRONIC COMPONENTS

Designed for use with any active electronic component with RJ45, fiber or other type of connectors. The Horizontal Cable Guide not only provides a neat and orderly installation but also allows quick and easy moves with no outages.

- Slotted loop design makes cable installation and changes quick and simple
- Made of thick aluminum bar stock. Rounded edges protect cable sheaths
- Mounting slots accommodate a variety of active electronic components
- Packaged one pair per bag

Part Number	Description/Color	Shipping Weight
12340-701	4 RMU, Black	2 lb
12341-701	2 RMU, Black	2 lb



800-834-4969 in US & Canada • www.chatsworth.com



CHATSWORTH PRODUCTS, INC.

©2002 Chatsworth Products, Inc. 5/02/GT