

NEW CATALOG ITEM

ORGANIZING. STORING. SECURING.

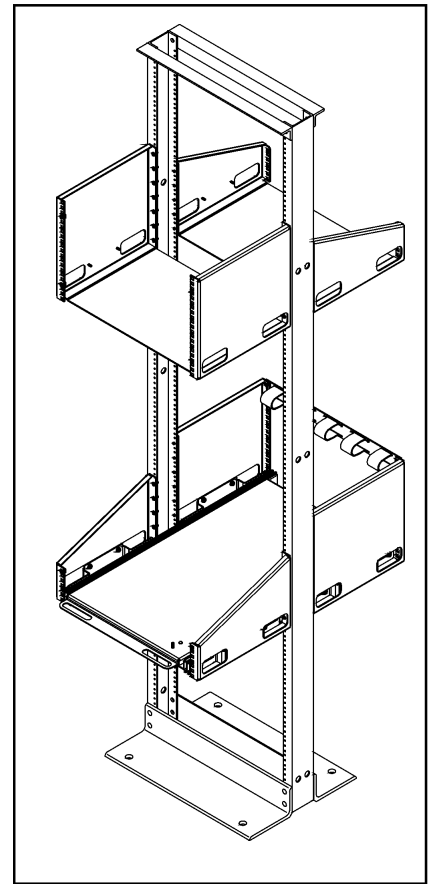


FEATURES:

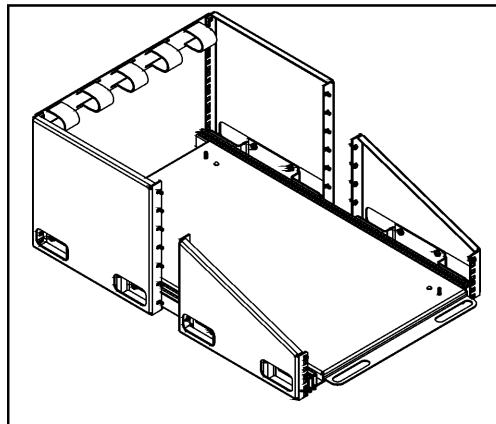
- ▼ Provides a method for mounting HP 9000 L-Class "rack-mount" servers (designed for use in 4-post racks or cabinets) onto 2-post racks.
- ▼ Utilize existing 2-post racks to install new "rack-mount" servers.
- ▼ Provide the flexibility to reconfigure existing racks as required.
- ▼ Benefit from quick and easy installation compatible with server manufacturer installation instructions.
- ▼ Available in four finishes.
- ▼ Mounting hardware included.

HP® 9000 L-CLASS FILE SERVER RACK-MOUNT SOLUTIONS

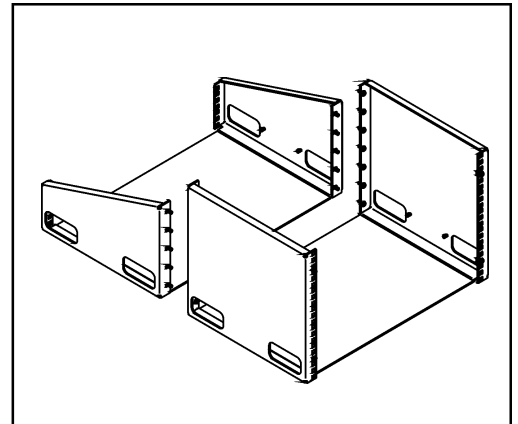
CPI now offers a solution for rack mounting Hewlett-Packard 9000 L-Class File Servers onto 19" W 2-post CPI Racks. The 9000 L-Class is a UNIX® file server specially designed for the Internet and is e-services ready. We provide a complete sliding solution for the L-Class including support brackets, server support pan, slides & slide mounting assemblies, and cable management bracket. The fixed solution is offered for customers who do not require a sliding solution.



Please contact your authorized CPI Distributor or CPI Customer Service Representative for more information or go to www.chatsworth.com.



56322 SERIES
HP 9000 L-CLASS - SLIDING



56321 SERIES
HP 9000 L-CLASS - FIXED

An Employee
Owned Corporation



CHATSWORTH
PRODUCTS, INC.

Chatsworth, CA Operations
818-882-8595 • 818-718-0473 FAX
Georgetown, TX Operations
512-863-7800 • 512-869-1374 FAX
New Bern, NC Operations
252-514-2779 • 252-514-2977 FAX
New Castle, IN Operations
765-599-9000 • 765-593-0950 FAX
Email
techsupport@chatsworth.com
Web site
www.chatsworth.com

Part Number & Finish				Shipping Weight
Gray	White	Clear	Black	
Fixed Rack-Mount Solution for 3" Rack Channel				
56321-131	56321-231	56321-531	56321-731	16 lb
Fixed Rack-Mount Solution for 6" Rack Channel				
56321-161	56321-261	56321-561	56321-761	16 lb
Sliding Rack-Mount Solution for 3" Rack Channel				
56322-131	56322-231	56322-531	56322-731	28 lb
Sliding Rack-Mount Solution for 6" Rack Channel				
56322-161	56322-261	56322-561	56322-761	28 lb