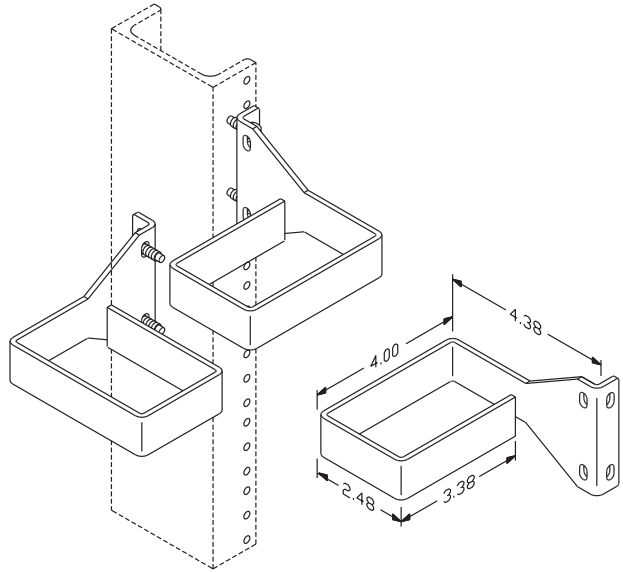


Product Cut Sheet

IBM® STYLE VERTICAL CABLE LOOP

Used for vertical cable runs on most rack mounted equipment. Mounts in a variety of ways to equipment rack or connector panels. 1-1/2" hole to hole.

- .090" aluminum construction coated with black plastic to prevent cable scrapes
- Sold individually or in package of 100



Part Number	Description	Shipping Weight
10683-001	Black	1 lb
10683-101	Black, Pkg. of 100	23 lb

800-834-4969 in U.S. & Canada • www.chatsworth.com



CHATSWORTH PRODUCTS, INC.

©2010 Chatsworth Products, Inc. All rights reserved. CPI, CPI Passive Cooling, MegaFrame, Saf-T-Grip, Seismic Frame, SlimFrame, TeraFrame, Cube-IT Plus, Evolution, OnTrac, and QuadraRack are federally registered trademarks of Chatsworth Products, Inc. GlobalFrame, Simply Efficient and Velocity are trademarks of Chatsworth Products, Inc. All other trademarks belong to their respective companies. 12/10