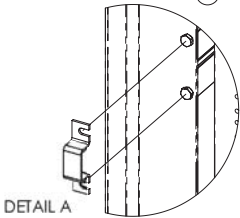
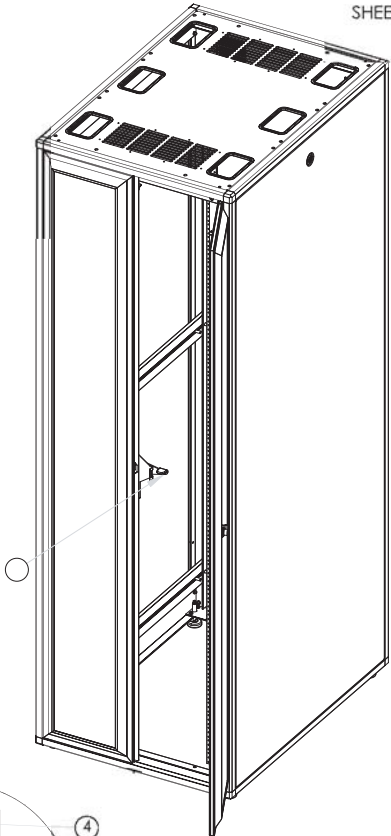
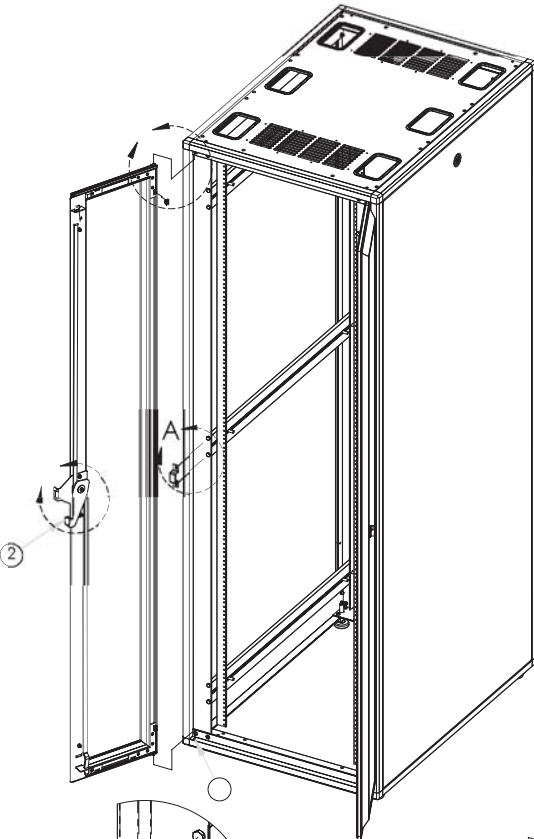


DOOR INSTALLATION

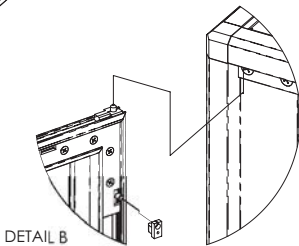
1. REMOVE EXISTING DOOR CATCH FROM THE CABINET SIDE FRAME MEMBER IF EQUIPPED (SEE DETAIL A). LOOSEN THE TWO BOLTS AND REMOVE CATCH, RETIGHTEN BOLTS.
2. REMOVE PLASTIC DOOR PIN STOP (035-712447-001) AND RETRACT PIN (SEE DETAIL B).
3. PLACE LOWER DOOR PIN HINGE INTO HOLE LOCATED ON THE BOTTOM CABINET FRAME MEMBER (SEE CALLOUT 1).
4. ALIGN TOP PIN WITH HOLE LOCATED ON THE TOP CABINET FRAME MEMBER AND EXTEND THE PIN.
5. REPLACE DOOR PIN STOP.
6. REPEAT STEPS 2-5 FOR THE SECOND DOOR.

DOOR OPERATION

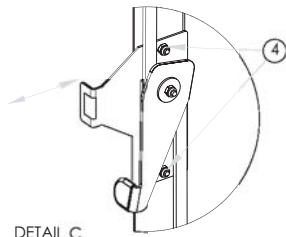
1. CLOSE THE LEFT DOOR, BE SURE THAT THE LOCK LEVER IS IN THE DOWN POSITION (SEE CALLOUT 2).
2. MOVE THE LOCK LEVER UP UNTIL IT STOPS (SEE CALLOUT 3).
3. CLOSE THE RIGHT DOOR. IF THE LOCK DOES NOT ENGAGE WITH THE LEFT DOOR PROPERLY YOU WILL NEED TO ADJUST THE DOOR CATCH (SEE DETAIL C). LOOSEN THE TWO NUTS (CALLOUT 4). SLIDE THE CATCH OUTWARD FOR MORE ENGAGEMENT OR INWARD FOR LESS.



DETAIL A



DETAIL B



DETAIL C

CPI CHATSWORTH PRODUCTS, INC.

**INSTALLATION INSTRUCTIONS,
MEGAFRAME
DOUBLE DOORS**

THIS DRAWING CONTAINS INFORMATION PROPRIETARY TO CHATSWORTH PRODUCTS, INC. ANY REPRODUCTION DISCLOSURE OR USE OF THIS DRAWING IS EXPRESSLY FORBIDDEN EXCEPT AS AGREED TO IN WRITING BY CHATSWORTH PRODUCTS, INC.