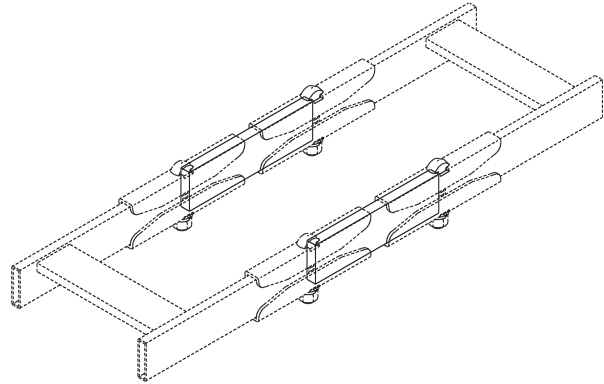


Product Cut Sheet

ISOLATOR BAR, CABLE RUNWAY

Electrically isolates cable runway sections from one another when installed in-line.

- Made of strong non-conductive material
- Kit consists of:
 - 2 each isolator bars
 - 2 each butt-splice kits (P/N 11301-001)



Part Number	Description	Shipping Weight
10842-001	Isolator Bar	2 lb

800-834-4969 in U.S. & Canada • www.chatsworth.com



CHATSWORTH PRODUCTS, INC.

©2010 Chatsworth Products, Inc. All rights reserved. CPI, CPI Passive Cooling, MegaFrame, Saf-T-Grip, Seismic Frame, SlimFrame, TeraFrame, Cube-IT Plus, Evolution, OnTrac, and QuadraRack are federally registered trademarks of Chatsworth Products, Inc. GlobalFrame, Simply Efficient and Velocity are trademarks of Chatsworth Products, Inc. All other trademarks belong to their respective companies. 12/10