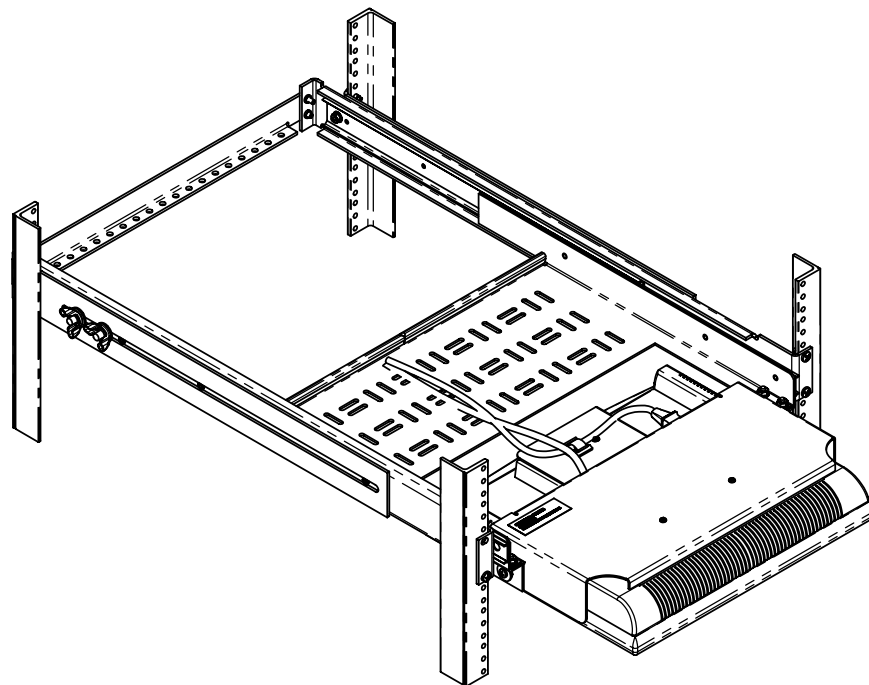


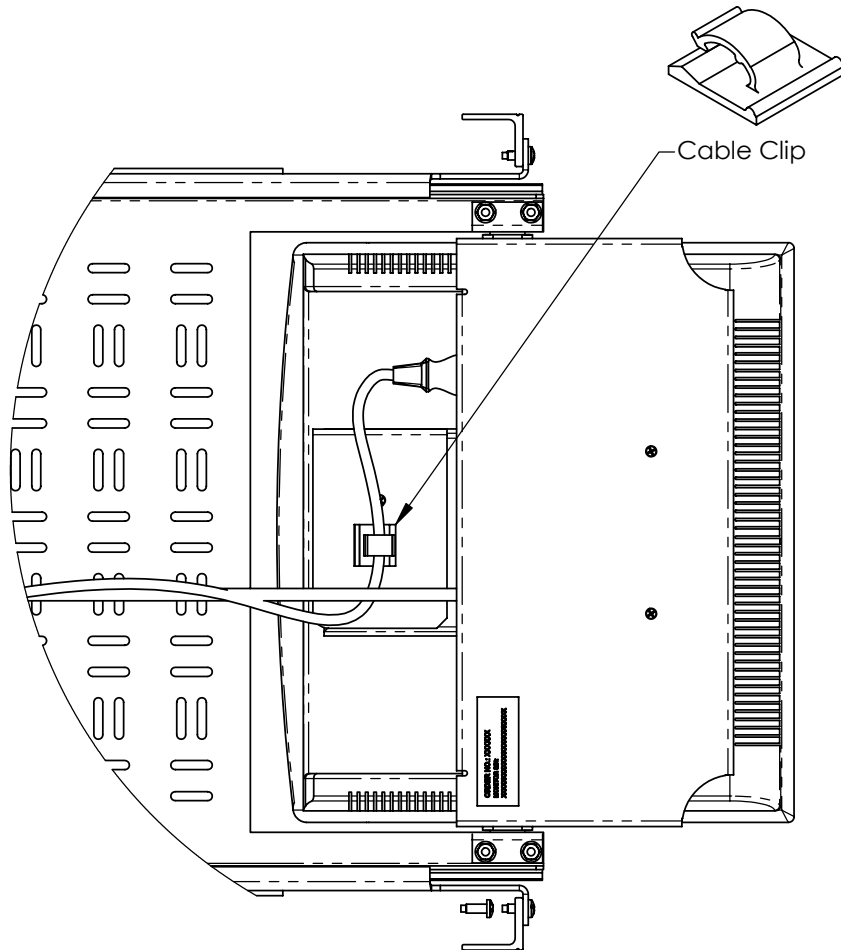
Wing Nuts
See Note 3



CPI CHATSWORTH PRODUCTS, INC.

INSTALLATION INSTRUCTION,
SLIDING SHELF,LCD
MONITOR,19" W

THIS DRAWING CONTAINS INFORMATION PROPRIETARY TO
CHATSWORTH PRODUCTS, INC. ANY REPRODUCTION DISCLOSURE
OR USE OF THIS DRAWING IS EXPRESSLY FORBIDDEN EXCEPT
AS AGREED TO IN WRITING BY CHATSWORTH PRODUCTS, INC.



DETAIL A

1. The LCD Monitor Shelf mounts to any cabinet or four-post rack with 26" to 38" mounting depth and requires less than 2 RMU of available space (Illustration shows rails with 29" depth.)
2. When you select the mounting location, consider the cable distance between the shelf and the active equipment you have installed. Also, your desired mounting height will depend on whether you plan to use the monitor while sitting or standing.
3. Loosen up the four wing nuts on both sliding brackets to adjust the shelf evenly with the depth of your cabinet rails.
4. Use the #12 screws provided to attach the shelf to the cabinet.
5. Attach the Cable Clip to the back of the monitor (as shown in Detail A) and then, route the Video cable through it.
6. Using the provided Velcro, secure the power adaptor to the shelf. Also tie-wrap all of the cables to the wire manager in the back.
7. Make sure the shelf is moving in and out freely without putting tension on the cables.

Thank you for purchasing quality products from Chatsworth Products, Inc.