

# LCD Console & LCD/KVM Console User's Manual

Version 1.1  
12/2008



**CHATSWORTH  
PRODUCTS, INC.**

800-834-4969  
techsupport@chatsworth.com  
www.chatsworth.com

All products quoted are subject to availability based on manufacturing capacity and shipping dates should be considered estimates only. While every effort has been made to ensure the accuracy of all information, CPI does not accept liability for any errors or omissions and reserves the right to change information and descriptions of listed services and products.

©2008 Chatsworth Products, Inc. All rights reserved. CPI, CPI Passive Cooling, Saf-T-Grip, Seismic Frame, SlimFrame and MegaFrame are federally registered trademarks of Chatsworth Products, Inc. Cube-iT Plus, Evolution, QuadraRack, Simply Efficient and TeraFrame are trademarks of Chatsworth Products, Inc. All other trademarks belong to their respective companies. MKT-60020-386-NB Rev1.1 12/08

## Table of Contents:

1. Introduction .....	3
2. Warranty .....	4
3. Service and Support .....	4
4. System Overview .....	5
5. Safety Instructions .....	6
6. Packing List .....	7
7. Rack/Cabinet Installation .....	8
7.1. Notes .....	8
7.2. Installation Hardware Kits Contents .....	9
7.2.1. For LCD Consoles (CPI P/Ns 13715-301, 13717-301, 13719-301) .....	9
7.2.2. For LCD/KVM Consoles (P/Ns 13715, 13717 & 13719-X08/-X16) .....	10
7.3. Selecting the correct Rear Mounting Bracket: .....	11
7.4 Rack/Cabinet Installation Steps .....	12
7.4.1. Installation Steps for Short or Long Single Brackets .....	12
7.4.2. Installation Steps for Long Assembled Brackets .....	13
7.5 Connecting the Consoles to Computers and Power .....	15
7.5.1. Notes .....	15
7.5.2. Connecting the 1-Port LCD Console .....	15
7.5.3. Connecting the 8-Port or 16-Port LCD/KVM Console .....	16
7.5.4. Connecting KVM Expansion Units (Daisy Chain Connections) .....	18
8. Turning the Console On .....	19
8.1. Testing the Console .....	19
8.2. Configuring the Display Settings .....	19
9. Panel Controls and OSD Function .....	20
9.1. Panel Control Buttons .....	20
9.2. LCD Panel OSD Menu Functions .....	21
9.2.1. Auto Tune .....	21
9.2.2. Brightness .....	21
9.2.3. Contrast .....	21
9.2.4. Color .....	22
9.2.5. Position .....	23
9.2.6. Language .....	23
9.2.7. Recall .....	24
9.2.8. Exit .....	24
9.3. Power Indicator LED .....	24
10. KVM Switch .....	25
10.1. Introduction .....	25
10.2. Features .....	25
10.3. Usage .....	26
10.4. Using Hotkeys To Control the KVM Switch .....	26
10.5. Using the KVM On Screen Display (OSD) Menu .....	28
10.5.1. Login Window .....	29
10.5.2. Port Name Menu .....	30
10.5.3. Main Menu .....	31
10.5.3.1. Language .....	31
10.5.3.2. Port Name Edit .....	32
10.5.3.3. Port Search .....	33
10.5.3.4. User Security .....	34
10.5.3.5. Access Control List .....	35
10.5.3.5. Hotkey .....	36
10.5.3.6. Time Settings .....	37

10.5.3.7. OSD Mouse .....	38
10.6. Hot Plug .....	39
11. Troubleshooting .....	39
Appendix A: Specifications .....	40
Specifications for 15" LCD Console with no KVM Switch .....	40
Specifications for 15" LCD/KVM Console with 8-port KVM Switch .....	41
Specifications for 15" LCD/KVM Console with 16-port KVM Switch .....	42
Specifications for 17" LCD Console with no KVM Switch .....	44
Specifications for 17" LCD/KVM Console with 8-port KVM Switch .....	45
Specifications for 17" LCD/KVM Console with 16-port KVM Switch .....	46
Specifications for 19" LCD Console with no KVM Switch .....	48
Specifications for 19" LCD/KVM Console with 8-port KVM Switch .....	49
Specifications for 19" LCD/KVM Console with 16-port KVM Switch .....	50
Technical Specifications for 8-port and 16-port KVM Switches .....	52
Cable Diagrams .....	53

## 1. Introduction

This manual provides the information necessary to install, configure and use the CPI LCD Console and LCD/KVM Console with 8-port or 16-port keyboard/video/mouse (KVM) switch. The information in this document is subject to change without notice. CPI is not liable for errors contained herein or for incidental or consequential damages in connection with the furnishing, performance, or use of this material.

Because of the dynamic nature and continued enhancement of CPI products, the illustrations and descriptions in this manual may differ from the various products you receive.

This document contains proprietary information that is protected by copyright. No part of this document may be photocopied, reproduced, or translated into another language without the prior written consent of CPI.

©2008 Chatsworth Products, Inc. All rights reserved. CPI, MegaFrame, and Seismic Frame are registered trademarks, and TeraFrame, SlimFrame, FastTrac, and QuadraRack are trademarks of Chatsworth Products, Inc. All other trademarks belong to their respective companies.

Please address comments on this publication to:

**LCD/KVM Console Product Manager**  
**Chatsworth Products, Inc.**  
**9353 Winnetka Avenue**  
**Chatsworth, CA 91311**  
**800-834-4969**  
**Fax: 252-514-2977**

## 2. Warranty

Chatsworth Products, Inc. (CPI) guarantees manufactured products and each part or component thereof against all defects in material and/or workmanship. CPI agrees to remedy any manufacturing defect either through replacement or repair at no charge, provided that the defective unit is returned, transportation prepaid, to the CPI factory. The warranty extends for a period of one year from the date of installation or initial use, provided that this period shall not exceed 18 months from the original date of shipment from the factory.

Any product that has been repaired or replaced shall be similarly warranted on its repair or replacement for the remaining product warranty period or 90 days from the date of repair or replacement, whichever expires last.

This warranty does not extend to products that have been subjected to neglect, accident or improper use, nor to units that have been altered by non-CPI personnel.

No warranties other than those set forth in this section are given or implied with respect to the products furnished. CPI shall, in no event, be liable for consequential damages, for loss, damage or expense directly or indirectly arising from the use of the products, for any inability to use materials or from any other cause.

## 3. Service and Support

For answers to your questions, please email Technical Support at [techsupport@chatsworth.com](mailto:techsupport@chatsworth.com), or call toll-free at **800-834-4969** (US. & Canada) Monday to Friday, 5 a.m. to 5 p.m., Pacific Time.

## 4. System Overview

The LCD/KVM Console is a 1 RMU rack-mount shelf with an integrated liquid crystal display (LCD) and keyboard with touch pad. Select models also include an 8-port or 16-port keyboard/video/mouse (KVM) switch that allows the peripherals to be shared by up to 16 computers.

The shelf is designed to rack-mount in a four-post rack or cabinet that has a front and rear pair of 19" wide EIA-310-D compliant equipment mounting rails/channels. The LCD and keyboard are attached to separate sliding rails and can be opened and closed independently. The rails lock in the closed position; two keys are included with the shelf.

The LCD is available in three sizes: 15", 17" or 19". The LCD has active matrix thin film transistor (TFT) technology that creates a bright crisp image over a wide viewing angle. On-screen menus make screen adjustments easy. The LCD is compatible with most analog RGB (red, green, blue) display standards and includes a universal power supply. The keyboard includes a track pad, so no mouse is required.

The KVM switch includes connections for eight or sixteen computers. Switch between computers with an on-screen menu or with keyboard "hot buttons" controls. Screen change is quick, and keyboard settings for each computer are retained. The LCD/KVM Console is password protected. No software is required.

The system can be ordered with or without signal cables. The combo signal cables have (1) VGA and (2) PS/2 connections or (1) VGA and (1) USB connections for computers.

Product specifications for each LCD/KVM Console are listed in [Appendix A](#).

## 5. Safety Instructions

Please read the safety instructions carefully and keep this manual for reference.

1. Disconnect this equipment from the power source (AC outlet) before cleaning. Don't use liquid or sprayed detergent for cleaning. Clean with a cloth.
2. Maintain easy access to the power and signal cable connections on the console and to the power connection at the AC outlet.
3. High humidity and temperature will damage this product. Keep equipment in an environmentally controlled environment during operation and storage. Temperatures above 140°F (60°C) can damage equipment. See [Appendix A](#) for product specifications.
4. Place equipment in a secure location and protect and prevent it from falling. A drop or fall could cause injury.
5. Do not block ventilation openings on equipment. This will cause equipment to overheat and malfunction and may damage equipment.
6. Check the voltage at the power source. Equipment requires 100-240 VAC, 50-60 Hz power.
7. The power cord must be rated for the voltage and current of the electrical source. The voltage and current rating of the cord should be greater than the voltage and current rating marked on the product. Route the power cord so that it is protected from accidental disconnection or damage. Do not step on or place anything on the power cord.
8. Note and follow all cautions and warnings on equipment.
9. If equipment is not being used, disconnect it from the power source to prevent damage from transient over-voltage.
10. Never pour any liquid into the equipment; this could cause a fire or electrical shock.
11. Never open the equipment chassis. For safety reasons, only qualified service personnel should open equipment.
12. If one of the following situations arises, get the equipment checked by service personnel:
  - The power cord or power plug is damaged.
  - Liquid has entered the equipment.
  - The equipment was exposed to moisture.
  - The equipment has not worked well or you cannot get it to work according to the manual.
  - The equipment has been dropped or damaged.
  - If the equipment has obvious signs of damage or breakage.

## 6. Packing List

For the LCD Console (P/Ns 13715-301, 13717-301, 13719-301):

- One 1U 19" rack mount console
- Short Single Bracket x 2
- Long Assembled Bracket x 2
- Extension Bracket x 2 (for Long Assembled Bracket)
- Metal Plate x 2 (for Short Single Bracket)
- Copper Ring x 4 (for Short Single Bracket)
- Flat Screw x 4 (for Short Single Bracket)
- Cap Screw x 28 (for Long Assembled Bracket)
- Key x 2
- One 6'L (1.8 m) signal cable (VGA+2xPS/2-to-VGA+2xPS/2)
- One 6'L (1.8 m) USB cable (USB-to-USB)
- One 6'L (1.8 m) power cord (IEC320 C13-to-NEMA 5-15P)
- One CD with user manual

For the LCD/KVM Console (P/Ns 13715-008/-016, 13717-008/-016, 13719-008/-016):

- One 1U 19" rack mount console
- Long Single Bracket x 2
- Long Assembled Bracket x 2
- Metal Plate x 2 (for Long Single Bracket)
- Copper Ring x 6 (for Long Single Bracket)
- Flat Screw x 6 (for Long Single Bracket)
- Cap Screw x 28 (for Long Assembled Bracket)
- Key x 2
- One 6'L (1.8 m) power cord (IEC320 C13-to-NEMA 5-15P)
- One CD with user manual
- P/Ns -108 include eight 6'L (1.8 m) signal cables (HDDB15-to-VGA+2xPS/2)
- P/Ns -116 include sixteen 6'L (1.8 m) signal cables (HDDB15-to-VGA+2xPS/2)
- P/Ns -208 include eight 6'L (1.8 m) signal cables (HDDB15-to-VGA+1xUSB)
- P/Ns -216 include sixteen 6'L (1.8 m) signal cables (HDDB15-to-VGA+1xUSB)

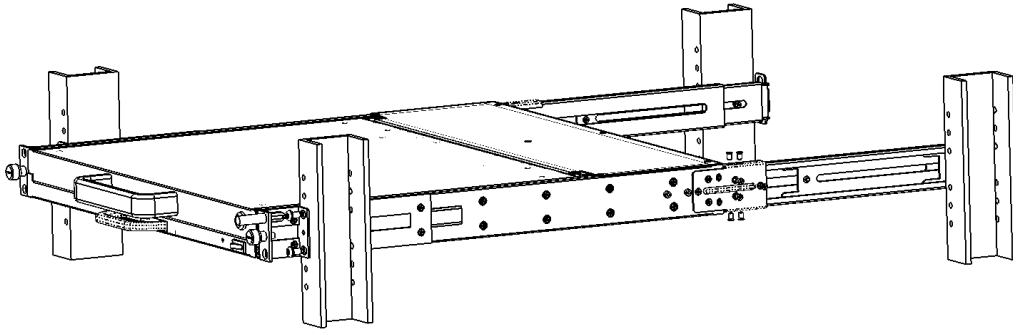
Check to make sure that the unit was not damaged in shipping. If you encounter a problem, contact your distributor.

Please read this manual thoroughly, and follow the installation and operation procedures carefully to prevent any damage to the product, and/or any of the devices that connect to it.

## 7. Rack/Cabinet Installation

### 7.1. Notes

1. Please check all peripherals according the packing list (see [Section 6](#)) before installation to make sure that the whole unit was not damaged and lost during shipping process. If you encounter any problem, please contact your distributor.
2. Before installation, make sure all peripherals and computers have been turned off.
3. This product requires front and rear mounting brackets. Pre-configure the depth of the rack to find the best rear bracket kits for your usage (see [Section 7.3.](#)).
4. Reliable earthing of rack-mounted equipment should be maintained. Particular attention should be given to supply connections other than direct connections to the branch circuit.



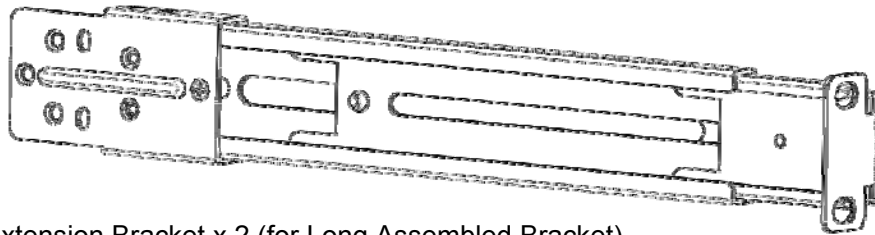
## 7.2. Installation Hardware Kits Contents

### 7.2.1. For LCD Consoles (CPI P/Ns 13715-301, 13717-301, 13719-301)

1. Short Single Bracket x 2



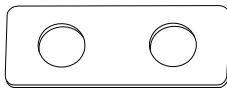
2. Long Assembled Bracket x 2



3. Extension Bracket x 2 (for Long Assembled Bracket)



4. Metal Plate x 2 (for Short Single Bracket)



5. Copper Ring x 4 (for Short Single Bracket)



6. Flat Screw x 4 (for Short Single Bracket)



7. Cap Screw x 28 (for Long Assembled Bracket)

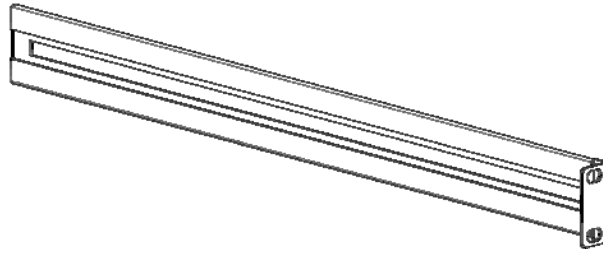


8. Key x 2

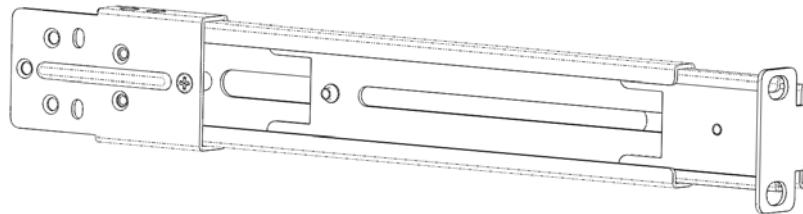


**7.2.2. For LCD/KVM Consoles (P/Ns 13715, 13717 & 13719-X08/-X16)**

1. Long Single Bracket x 2



2. Long Assembled Bracket x 2



3. Metal Plate x 2 (for Long Single Bracket)



4. Copper Ring x 6 (for Long Single Bracket)



5. Flat Screw x 6 (for Long Single Bracket)



6. Cap Screw x 28 (for Long Assembled Bracket)

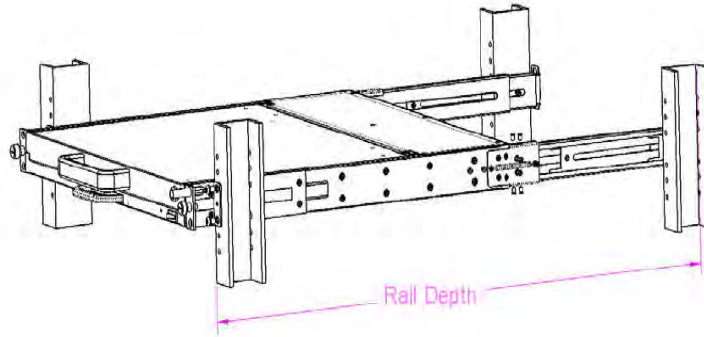


7. Key x 2

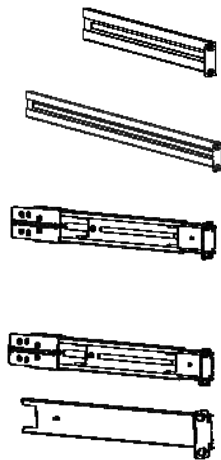


### 7.3. Selecting the correct Rear Mounting Bracket:

1. Each LCD/KVM Console includes two rear mounting brackets in the installation hardware kit (see [Section 7.2.](#)).
2. To determine which rear mounting bracket to use to install the Console, measure the depth of the mounting rails in the rack or cabinet – the distance between the front and rear mounting rails.



3. Refer to the table below to select the correct rear mounting bracket based on the product part number and the measured mounting rail depth.
  - a. For Short or Long Single Brackets, see [Section 7.4.1.](#)
  - b. For Long Assembled Brackets, see [Section 7.4.2.](#)



Description	LCD Console (no KVM Switch)		LCD/KVM Console (includes KVM Switch)	
	15"/17" LCD	19" LCD	15"/17" LCD	19" LCD
<b>CPI Part Number</b>	13715-301 13717-301	13719-301	13715-X08* 13717-X08* 13715-X16* 13717-X16*	13719-X08* 13719-X16*
<b>Short Single Bracket</b>	16.4"-18.5" (417mm-472mm)	18.8"-20.9" (478mm-533mm)	Not Available	Not Available
<b>Long Single Bracket</b>	Not Available	Not Available	23.1"-26.4" (589mm-671mm)	25.6"-28.8" (651mm-733mm)
<b>Long Assembled Bracket</b>	Not Available	Not Available	26.0"-32.0" (661mm-815mm)	28.4"-34.5" (722mm-877mm)
<b>Long Assembled Bracket with Extension Bracket</b>	26.8"-32.8" (681mm-835mm)	29.2"-35.3" (742mm-897mm)	Not Available	Not Available

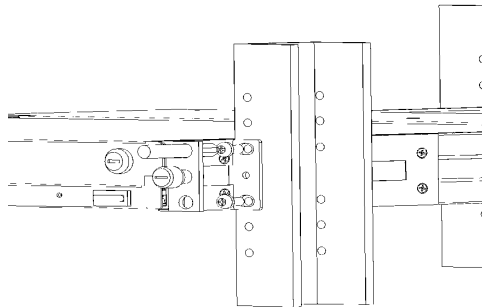
\*For P/N with -X08 or -X16 where X is 0, 1 or 2.

## 7.4 Rack/Cabinet Installation Steps

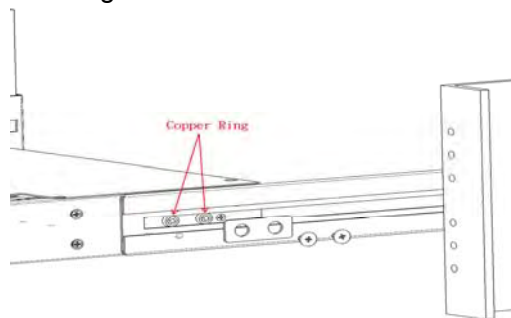
Installation requires a screwdriver with a #2 Phillips head. Mounting the Console is a two person operation; support the front and the rear of the Console during installation. You will also need eight rack/cabinet equipment mounting screws (not included with the Console).

### 7.4.1. Installation Steps for Short or Long Single Brackets

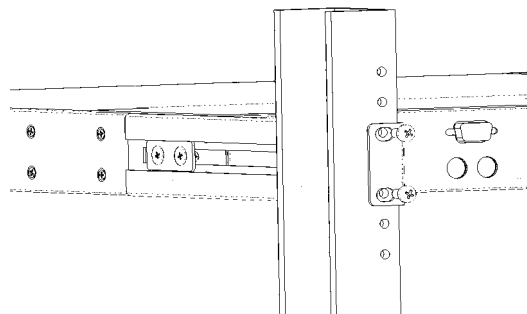
1. Release the thumb screw on the front bracket (both sides)
2. Install the front brackets on each side using four equipment mounting screws (two per side)



3. Install the rear brackets (Short or Long Single Brackets) on each side using two (15"/17" LCD) or three (19" LCD) copper rings, a metal plate, and two or three flat screws. Adjust the depth of the bracket so that it touches the rear mounting rail and tighten the flat screws.

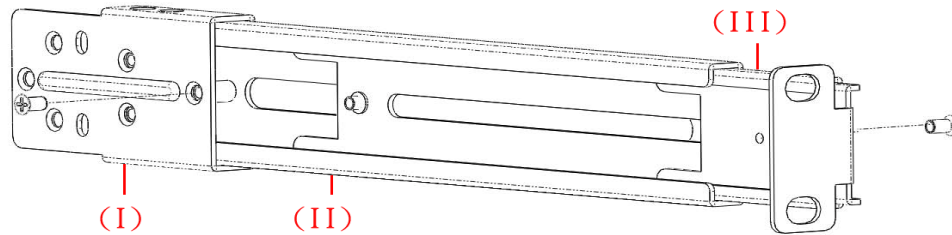


4. Attach the rear brackets to the rack/cabinet equipment mounting rails using four equipment mounting screws (two per side).

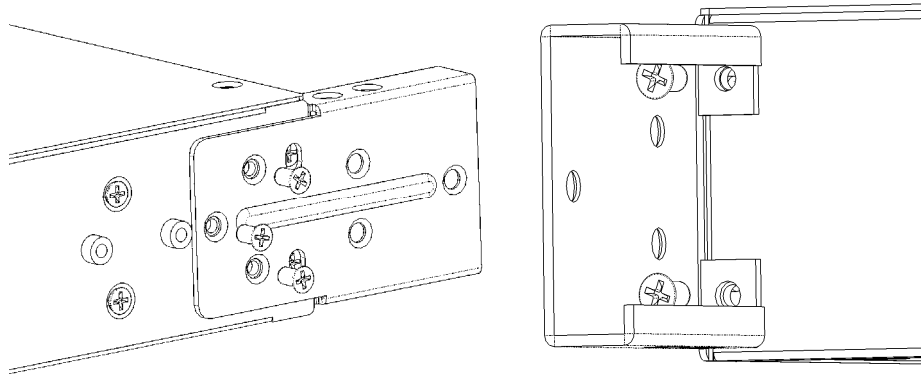


### 7.4.2. Installation Steps for Long Assembled Brackets

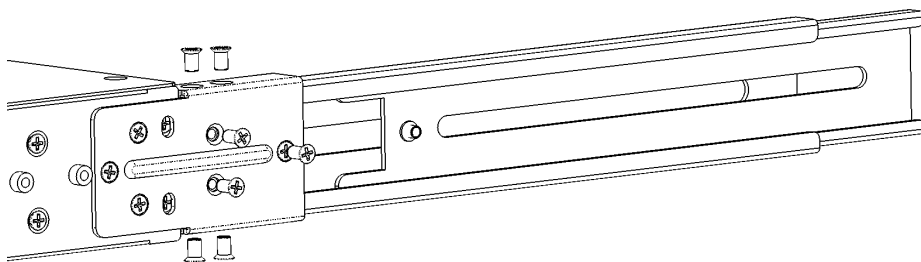
1. Remove the screws on the Long Assembled Brackets to disassemble the brackets into three parts (I), (II), and (III). Keep the screws.



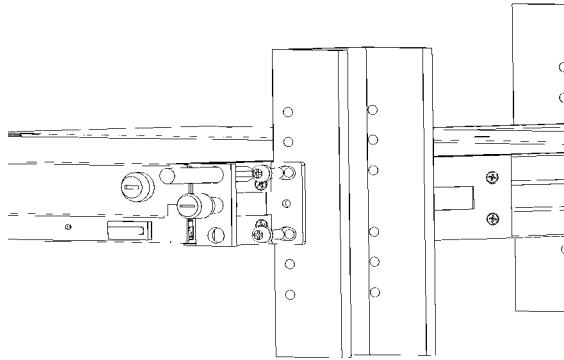
2. Attach parts (I) to the rear of the Console using 10 cap screws (5 per side). Note the orientation of the bracket to the rear of the Console.



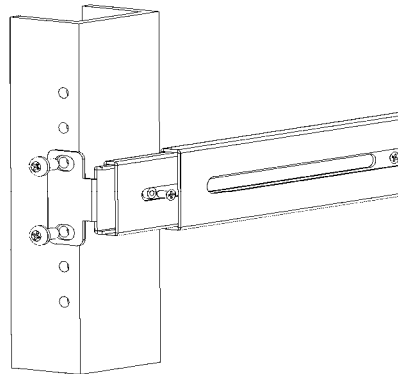
3. Combine parts (I) and (II) using 14 cap screws (7 per side). Note the orientation of part (II) to the rear of the Console.



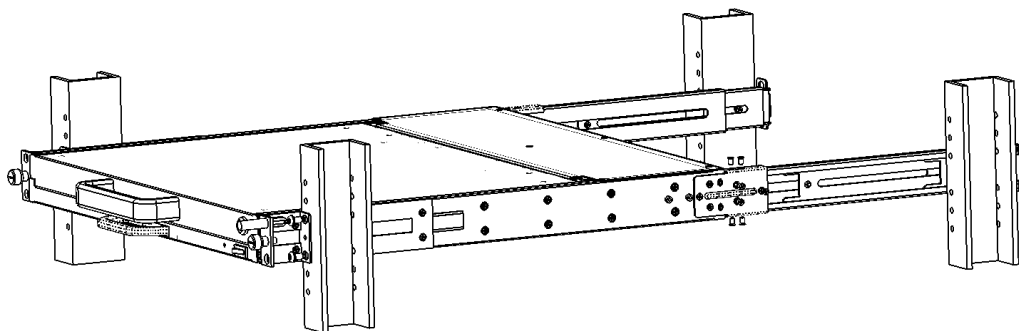
4. Release the Thumb Screw on the front of the Console and attach the front bracket on each side using four equipment mounting screws (two per side).



5. Combine parts (III) with the rear bracket (parts I and II) using the original screw and Install, adjust the depth of the bracket until it touches the rear mounting rail and attach the bracket to the mounting rails using four equipment mounting screws (two per side).



6. The finished installation is shown in the graphic below.



## 7.5 Connecting the Consoles to Computers and Power

### 7.5.1. Notes

Before you begin, make sure that power to all the devices that you will be connecting to the Console has been turned off. To prevent damage to your installation due to ground potential difference, make sure that all the devices on the installation are properly grounded.

### 7.5.2. Connecting the 1-Port LCD Console

The 1-Port LCD Console has a single power connection, a VGA video connection, a PS/2 keyboard connection, a PS/2 mouse connection, and a USB connection as shown in the graphic below.



Rear View of 1-Port LCD Console

Each Console includes a power cable with a NEMA 5-15P plug, a combination VGA-PS/2 signal/keyboard/mouse cable and a separate USB cable for computer connections.

Connect the Console to a computer and power source using the following steps:

1. Turn off your computer. You should always turn off your computer before connecting or disconnecting a device.
2. Connect the video (VGA) connector on the included signal cable to the VGA connector on the back of the Console and to the video card connector on the rear panel of your computer.
3. Identify and connect the PS/2 mouse and PS/2 keyboard connectors on the included signal cable to the correct PS/2 ports on the back of the Console and the rear panel of your computer or connect the USB connectors on the separate included USB cable to the USB connector on the back of the Console and the rear panel of your computer.
4. Connect the AC power cord to the power inlet on the console and then to a power outlet. The Console requires 100-240 VAC, 50-60 Hz power.

### 7.5.3. Connecting the 8-Port or 16-Port LCD/KVM Console

The 8-Port and 16-Port LCD/KVM Console has a single power connection and includes a KVM switch with eight or sixteen VGA-style computer connections as shown in the graphics below.

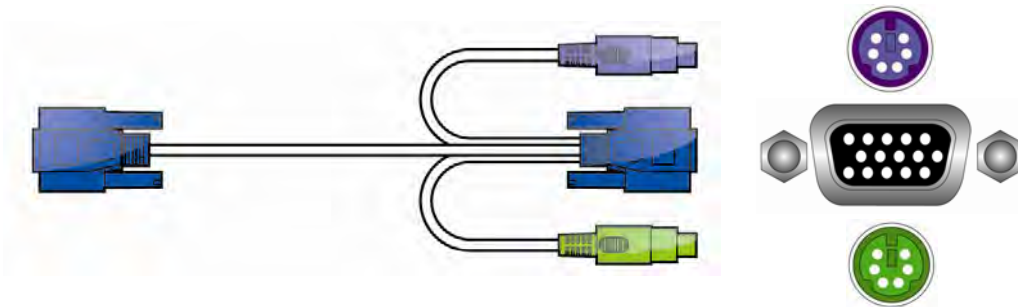


Rear view of 8-Port LCD/KVM Console

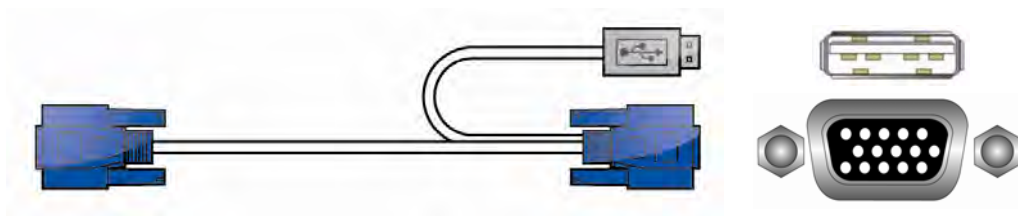


Rear view of 16-Port LCD/KVM Console

LCD/KVM Consoles includes a power cable with a NEMA 5-15P plug. Consoles connect to computers with combination signal cables that have an HDDB-15 (VGA-style) connector on the Console side and a VGA and two PS/2 or one USB connectors on the computer side. Two styles of signal cables are available as shown below.



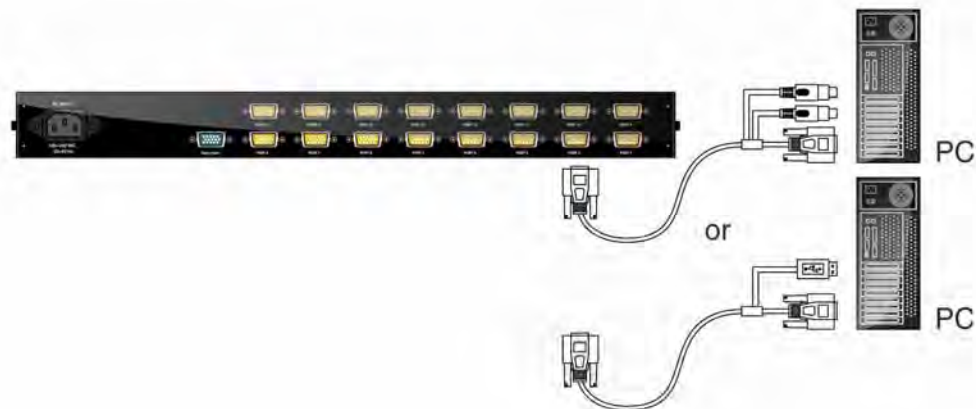
HDDB-15-to-VGA+2 x PS/2 Signal Cable for PS/2 keyboard and mouse



HDDB-15-to-VGA+USB Signal Cable for USB keyboard and mouse

Connect the Console to a computer and power source using the following steps:

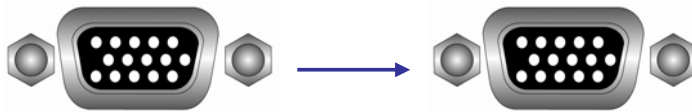
1. Before installation, please make sure all of peripherals and computers have been turned off.
2. The computer ports on the back of the Console have HDDB-15 type connectors. Each port is yellow in color and labeled Port 1-8 or 1-16. Inspect the 3-in-1 (PS/2 interface) or 2-in-1 (USB interface) signal cable. Each cable will have a single HDDB-15 male connector at one end. Plug this end of the cable into a computer port on the rear of Console.
3. The other end of the signal cable has two (USB interface) or three (PS/2 interface) connectors: a HDDB-15 male type for computer video, a purple mini din 6-pin PS/2 connector for keyboard and a green mini din 6-pin PS/2 connector for mouse, or one USB connector for keyboard and mouse. Plug the two (USB) or three (PS/2) connectors into the respective ports on the computers. Each Console can support a mix of PS/2 and USB style cables.



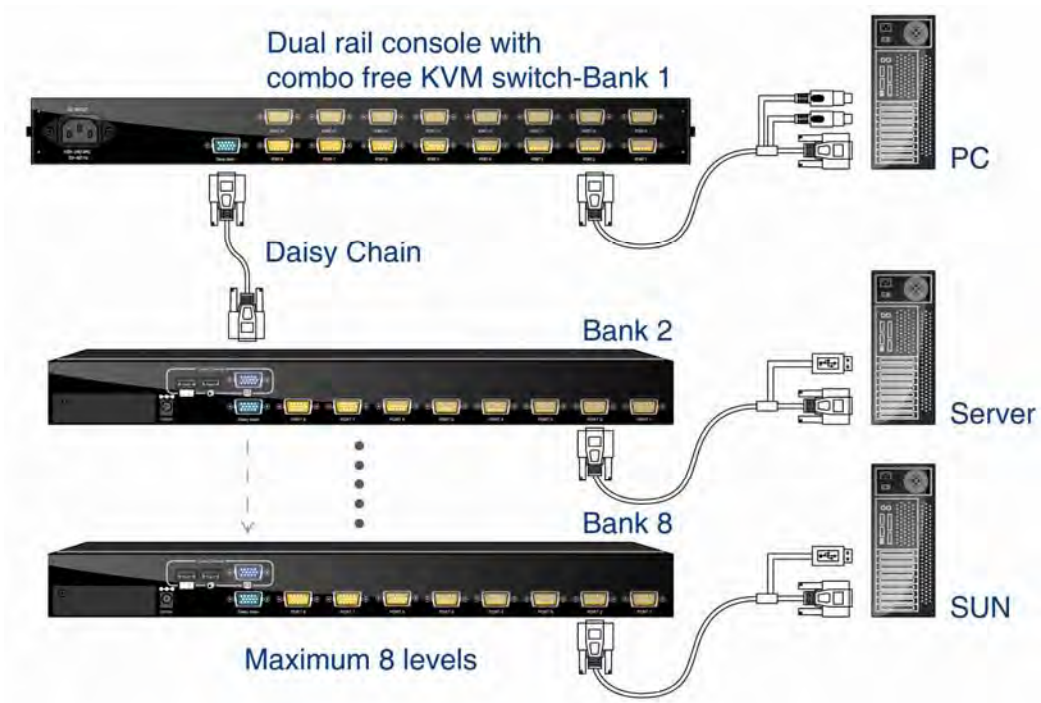
4. Connect the AC power cord to the power inlet on the console and then to a power outlet. The Console requires 100-240 VAC, 50-60 Hz power.

### 7.5.4. Connecting KVM Expansion Units (Daisy Chain Connections)

Contact CPI Technical Support to order KVM Expansion Units. Each LCD/KVM Console will support up to seven KVM Expansion Units. The Console and Expansion Units are connected with a custom Expansion Cable that has Hddb15 connector on each end.



Use one end of the daisy chain cable to connect to the blue **Daisy Chain** port on the Console and connect the other end of daisy chain cable to the **Local Console** port of the KVM Expansion Unit. Repeat the connection procedures for next KVM Expansion Unit. You can daisy chain up to eight units (one LCD/KVM Console and seven KVM Expansion Units) in series.



KVM Expansion Unit Connections

## 8. Turning the Console On

Make sure all cables and the power cord are connected properly. Be sure to tighten all connector screws. Using two hands, grasp the rear of the console, lift the tab and pull the panel up and forward. This will disengage the momentary on/off switch and the unit should power on. The LED on the left or under of the monitor panel should turn from orange to green. If the unit does not power up when the panel is pulled up, push the soft power on/off button on the left or under side of the monitor panel to power the unit on. Verify that the unit is operational.

### 8.1. Testing the Console

To test that the console is working properly, perform the following steps:

1. Power up the console, and then turn on your computer.
2. Make sure the video image is centered within the screen area. You can adjust the horizontal and vertical position, contrast and brightness to suit your personal preferences. Use the OSD panel controls to adjust the image (see [Section 9.](#)) or press the Auto button on the right hand side of the panel.

### 8.2. Configuring the Display Settings

After connecting the console and turning on your computer, you may need to configure one or more of the following display settings:

- Display mode (also called desktop area or video resolution)
- Refresh rate (also called vertical scan rate or vertical sync)
- Color depth (also called color palette or number of colors)

Each video card has several controls that let you adjust the display settings. However, the software and driver for each video card is unique. In most cases, you adjust these settings by using a program or utility provided by the manufacturer of the video card. Most video cards use the Windows Display Properties control panel to configure the display. To open the Windows Display Properties, click the right mouse button in a blank area of the Windows desktop and then select **Properties**. The Settings tab usually lets you change the Color Palette and the Desktop Area (*x by y* pixel resolution).

Some video cards integrate additional features into the Windows Display Properties control panel to give you an exceptional setup that is flexible and easy to use. For example, the control panel may include an Advanced Properties button, an Adjustment tab, or a Refresh tab for changing other settings. Other video cards have a separate utility for setting display properties.


Whenever you change the resolution, color, or refresh rate, the image size, position, or shape may change. This behavior is normal. You can readjust the image using the monitor on-screen controls. Refer to [Section 9](#) for more information on the panel controls and on-screen menu functions. For more information on configuring the display settings, refer to the manual that came with your video card.

## 9. Panel Controls and OSD Function


### 9.1. Panel Control Buttons

Several control buttons are located on the side or bottom of the LCD panel. Use the buttons to access the LCD panel's On-Screen Display menu and functions.

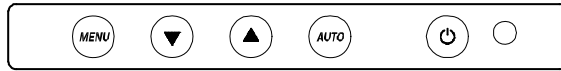
Panel Controls and Descriptions:

Controls	Description
	Soft power on/off button. Adjacent LED is lit when on.
<b>Auto</b>	Auto-synchronize and scale down display to any valid factory preset timings.
<b>Up▲</b>	Press to scroll the function you want to adjust.
<b>Down▼</b>	Press to scroll the function you want to adjust.
<b>Menu</b>	To access the main menu. This button also acts as the "Enter" button.

OSD Control Bar on 15" and 17" LCD/KVM Consoles:

- Status
- 
- Auto
- Up
- Down
- Menu

## OSD Control Bar on 19" LCD/KVM Consoles



### 9.2. LCD Panel OSD Menu Functions

You can adjust the horizontal and vertical position, contrast, and brightness of the image on the LCD panel to suit your personal preferences using the LCD Panel's OSD menu function. Access the menu by pressing the menu button. The following sections describe each function.

#### 9.2.1. Auto Tune

Press the "auto tune" button. The panel will adjust the display size automatically and also tune the panel to its best condition.

#### 9.2.2. Brightness

1. Press the "menu" button.
2. Use the "Down" and "Up" button to scroll.

Auto Tune

**Brightness**

Contrast

Color

Position

Language

Recall

Exit

3. Press the "menu" button to enter.
4. Use the "Down" and "Up" button to adjust the brightness of the display.
5. Press the "menu" button to enter.

#### 9.2.3. Contrast

1. Press the "menu" button.
2. Use the "Down" and "Up" button to scroll.

Auto Tune

Brightness

**Contrast**

Color  
Position  
Language  
Recall  
Exit

1. Press the "menu" button to enter.
2. Use the "Down" and "Up" button to adjust the contrast of the display.
3. Press the "menu" button to enter.

#### 9.2.4. Color

1. Press the "menu" button.
2. Use the "Down" and "Up" button to scroll.

Auto Tune  
Brightness  
Contrast  
**Color**  
Position  
Language  
Recall  
Exit

3. Press the "menu" button to enter. And you will see:

Icon	Description
9300°K	To set CIE coordinates at 9300°K color
7500°K	To set CIE coordinates at 7500°K color
6500°K	To set CIE coordinates at 6500°K color
User	To set user defined CIE
Auto color	To auto adjust color
Return	To exit and return to the previous page

Color Icon Descriptions

4. Use the "Down" and "Up" button to adjust the color of the display.
5. Press "menu" to enter.

### 9.2.5. Position

1. Press the "menu" button.
2. Use the "Down" and "Up" button to scroll.
  - Auto Tune
  - Brightness
  - Contrast
  - Color
  - Position**
  - Language
  - Recall
  - Exit
3. Press the "menu" button to enter. And you will see:

Icon	Description
<b>Image Pos</b>	To adjust the position of the image.
OSD Pos	To adjust the position of the OSD.
Return	To exit and return to the previous page

Position Icon Descriptions

4. Use the "Down" and "Up" button to scroll.
5. Press the "menu" button to enter.

### 9.2.6. Language

1. Press the "menu" button.
2. Use the "Down" and "Up" button to scroll.
  - Auto Tune
  - Brightness
  - Contrast
  - Color
  - Position
  - Language**
  - Recall
  - Exit
3. Press the "menu" button to enter. And you will see:

**English**  
German

French

Italian

Spanish

4. Use the "Down" and "Up" button to scroll.
5. Press the "menu" button to enter.

### 9.2.7. Recall

1. Press the "menu" button.
2. Use the "Down" and "Up" button to scroll.

Auto Tune

Brightness

Contrast

Color

Position

Language

**Recall**

Exit

3. Press the "menu" button to enter, and you will see:

**Yes/ No**

4. Select "Yes" button then "Menu" button to recall the factory setting. Select "No" to return to the previous page.

### 9.2.8. Exit

Press the "exit" button to quit OSD menu.

## 9.3. Power Indicator LED

The power indicator light on the side or bottom of the panel will light green or red to indicate status as follows:

- GREEN ON
- RED STANDBY
- RED SUSPEND
- RED OFF

## 10. KVM Switch

### 10.1. Introduction

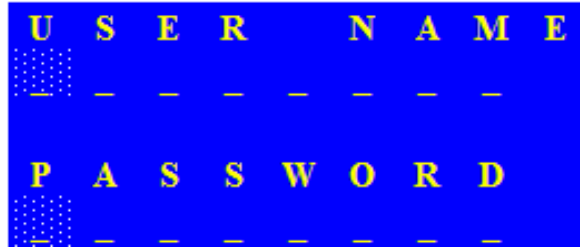
The 8/16-port combo-free KVM switch can access attached servers and computers. This KVM switch is loaded with features such as On Screen Display (OSD) Menu, Password security, Hot key Control and Auto Scan Control. It has complete keyboard and mouse emulation for simultaneous PCs boot-up process.

### 10.2. Features

- Support combo interface for connecting to computer ports conveniently
- Support MS windows, Netware, Unix, Linux and Sun operating systems
- No Software Required --- easy computer selection via On Screen Display (OSD) Menu and Hotkeys
- Provide various Hotkey (Caps-Lock/Scroll-Lock/ Num-Lock/ L-Alt/ L-Ctrl/ L-Win/ R-Alt/ R-Ctrl/ R-Win) for switching computer port and other control functions, so Hotkey function can be used in various types of keyboards, and to avoid Hotkey duplicate problem.
- Provide ACL (Access Control List) security function. Store up to 8 independent user accounts
- Hot Plug - add or remove connected computers without powering off the KVM switch or computers
- Support two user layers, and search computer/server name
- Plug-n-Play monitor support
- Keyboard status restored when switching computer
- Expandable – add up to seven 8-port or 16-port KVM Expansion Units to the Console

### 10.3. Usage

When you power on the KVM switch, it will prompt a Login window and wait for user name and password (see [Section 10.5.1.](#) for default password).



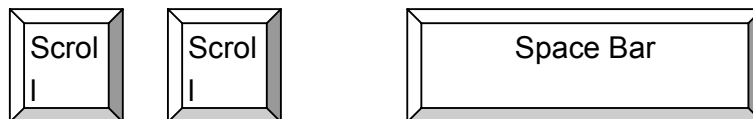
Once logged in, you can control the KVM Switch using Hot Keys (see [Section 10.4.](#)) or the OSD menu (see [Section 10.5.](#)).

### 10.4. Using Hotkeys To Control the KVM Switch

You can control the KVM switch through simple key sequences. The default hot key may be **CAPS LOCK** or **SCROLL LOCK**. References in this manual and on the KVM are to SCROLL LOCK. If you prefer to use another hot key, please go to the OSD menu (see [Section 10.5.3.](#)) and change the default hot key to another key.

To send commands to the KVM switch, the **hot key** (SCROLL LOCK, CAPS LOCK, or other selected key) must be pressed twice within 2 seconds. You will hear a beep for confirmation that the keyboard is in Hotkey mode. Then you have to enter **Command** in 2 seconds. If you have not pressed any key during Hotkey mode after 2 seconds the Hotkey mode the keyboard will return to the normal state.

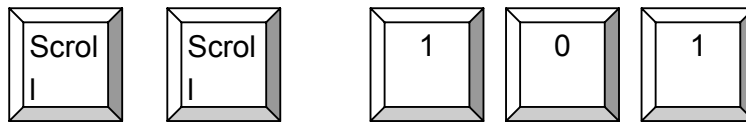
To access the OSD menu, press the key sequence [hot key], [hot key], [space bar]: **SCROLL LOCK, SCROLL LOCK, Space Bar** or **CAPS LOCK, CAPS LOCK, Space Bar** (See [Section 10.5.3.5.](#) for other options):



To access other functions, substitute the listed Command key for the space bar.

Command	Function
Space bar	Active OSD
↑	Previous Channel
↓	Next Channel
[1,2,...,8] bank, [01,02,...,16] port	First digit bank number start with 1 Second and third digits port number start with "01"
PgUp	Previous bank
PgDn	Next bank
"B"	Turn on / off beeper
"S"	Auto Scan
"U"	Turn Login Password on / off
"P"	User logout
"R"	OSD setting back to factory default value

Example: hitting the [hot key] **SCROLL LOCK** or **CAPS LOCK** twice then hitting key 1, key 0, and key 1 will switch to bank 1 port 01, which is the first port on the Console.



## 10.5. Using the KVM On Screen Display (OSD) Menu

The On Screen Display (OSD) Menu provides a menu driven interface with a Multilingual Menu that allows configuration of Access Security, PC or server name, password/window display time setup, and the computer search switching process.

There are two methods to activate the OSD menu.

- To activate OSD by Mouse, hold the left mouse button and press and release the Esc key to active the Port Display.
- To active OSD by Hotkey press scroll lock twice then press the space bar.

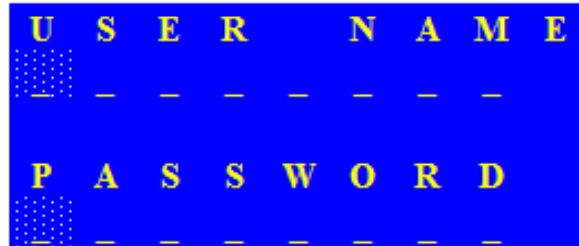
The OSD Menu has 3 tiers:

- **The Login Window** --- When powering on the KVM switch, it will prompt a login window and ask for user name and password. This KVM system can setup one SUPERVISOR and eight USERS. Before setting up the administrator name and password, none of administrator users can access the OSD menu. When you login with Supervisor, please go to USER SECURITY to set up one new SUPERVISOR or USERS. SUPERVISOR can access all Main menu options. USER can access PORT NAME and PORT SEARCH for switching.
- **Port Name**--- port switching using OSD
- **Main Menu**--- 8 menus to operate this KVM switch

MAIN MENU	Function
01 LANGUAGE	OSD language change
02 PORT NAME EDIT	PORT NAME modification
03 PORT SEARCH	quick searching by port name
04 USER SECURITY	Change password
05 ACCESS LIST	Define user access authority
06 HOT KEY	Change Hotkeys
07 TIME SETTINGS	Modify SCAN time interval
08 OSD MOUSE	Modify OSD MOUSE speed

### 10.5.1. Login Window

Turn on the local console monitor. A login window will display on the screen.



The default SUPERVISOR user name is all eight zero digits "00000000 ". The password is all eight zero digits "00000000 ". After 1 minute, the monitor signal will turn off if no input for username and password is entered in the login window.

After power up, login or port switch either by panel button, OSD or Hotkey, the screen will display the following information, one digit BANK NUMBER, two digit PORT NUMBER, PORT NAME and current Hotkey, any input or mouse move the screen will back to PC.



### Security Logout

No input for username and password over 1 minute at login windows the console monitor's signal will be turn off.

At normal operation, no input from console keyboard or mouse over 10 minutes the KVM switch will turn off the screen display and then go to the Login Window to ask for user name and password

### 10.5.2. Port Name Menu

The first OSD menu that is displayed is the Port Name Menu which provides a list of systems (attached computers) on the left side and menu commands on the right side.



system.

- After you have selected the PC port, you can either press the Enter” ← “Key, or move the cursor to the PC name and double click the left button of touchpad to switch the PC port immediately.
- Press PgUp key or PgDn key to select the previous or next Bank.

Key functions of the Port Name Menu are listed in the table below.

OSD Function Key	Description
F1	Go to Main Menu
F2	CONSOLE OFF (logout)
F3	Previous Menu
Enter	Switch to Selected Port
↑ / ↓	Move Select
PgUp	Previous Bank
PgDn	Next bank
Esc	Quit
1	Show port 01 ~ 08
2	Show port 09 ~ 16
3	Show port 17 ~ 24
4	Show port 25 ~ 32

### 10.5.3. Main Menu

Access the main menu with the F1 key from the Port Name Menu. The main menu The Main Menu is for system configuration. Only the Supervisor user can access the Main Menu.



Key functions of this menu are listed in the table below. The main menu options are explained in the following sections.

OSD Function Key	Description
Enter	Select
↑/↓	Move
F1	Go to Main Menu
F2	Console off
F3	Back
Esc	Exit

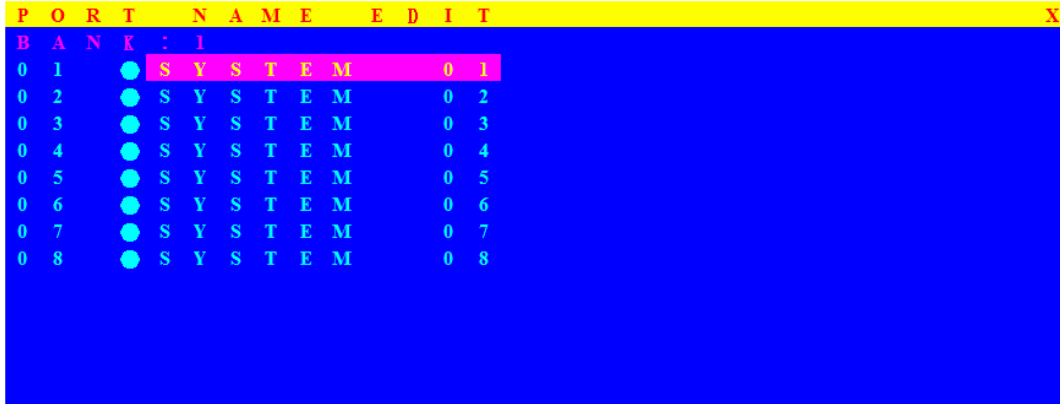
#### 10.5.3.1. Language

The default language is ENGLISH. Move the cursor by keyboard using the Up Arrow key “↑” or the Down Arrow key “↓” or by touchpad to select language as you need.



### 10.5.3.2. Port Name Edit

Use the Port Name Edit menu to change the screen display name of attached computers/servers.



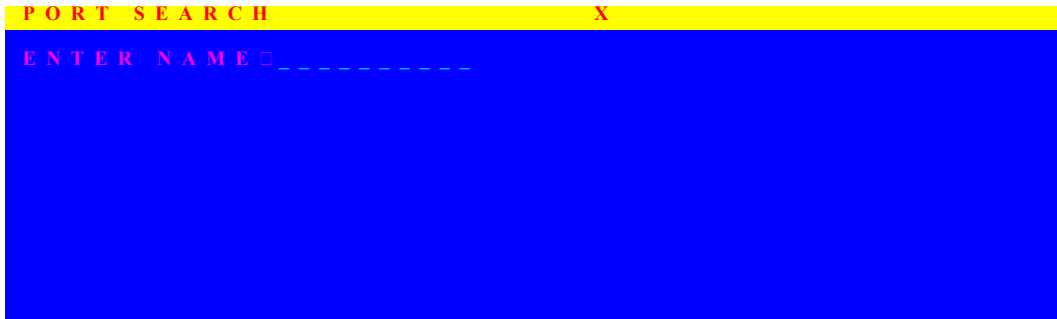
- Use the Up Arrow key “↑”, Down Arrow key “↓” or OSD MOUSE to select a system.
- Press the “Ins” key or click the right button of mouse to edit the System (computer) name.
- Enter the new name and press the Enter “↵” key to enter the new PC name.
- Press the “Esc” key to cancel editing without any name change

Key functions of this menu are listed in the table below.

OSD Function Key	Description
Enter	Port Name Edit
↑ / ↓	Move
F1	Go to Main Menu
F2	Console off
F3	Back
Esc	Exit
1	Show port 01 ~ 08
2	Show port 09 ~ 16
3	Show port 17 ~ 24
4	Show port 25 ~ 32

### 10.5.3.3. Port Search

Use the Port Search menu to find a computer by port name (screen display name).



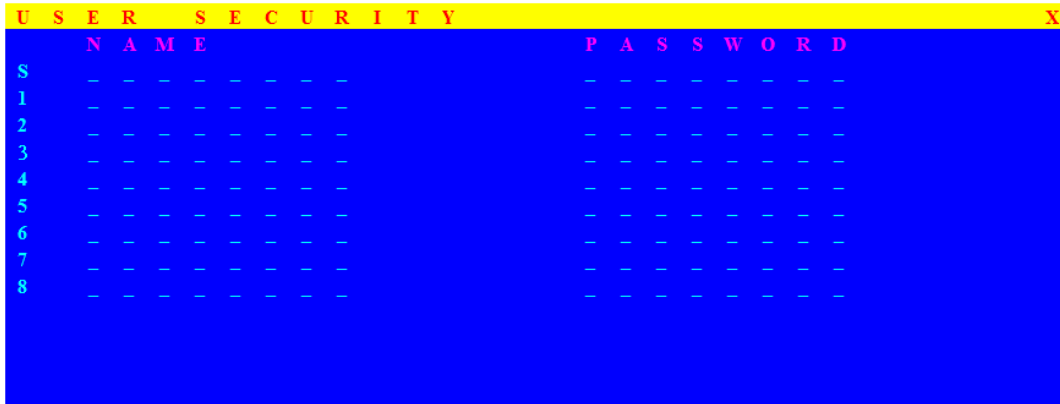
Enter the computers screen display name and press enter.

Key functions of this menu are listed in the table below.

OSD Function Key	Description
Enter	Start Port Search
F1	Go to Main Menu
F2	Console off
F3	Back
Esc	Exit

### 10.5.3.4. User Security

Use the User Security option to setup one SUPERVISOR and eight ADMINISTRATORS (USER) login accounts. Each account has an 8 digit name and password.



Press "ENTER" key to get USERS list. The left column "S" means SUPERVISOR and "1", "2", "3", ..., "8" mean ADMINISTRATOR. The maximum NAME is eight characters maximum (A~Z and 0~9) and PASSWORD is eight characters maximum (A~Z and 0~9).

Key functions of this menu are listed in the table below.

OSD Function Key	Description
Enter	Enter user name
→↑←↓	Move
F1	Go to Main Menu
F2	Console off
F3	Back
Esc	Exit

### 10.5.3.5. Access Control List

Use the Access Control List option to define which ports each User can access.

A C C E S S L I S T													X			
BANK :	1	1	2	3	4	5	6	7	8							
0 1	●	S	Y	S	T	E	M	0	1	0	0	0	0	0	0	0
0 2	●	S	Y	S	T	E	M	0	2	0	0	0	0	0	0	0
0 3	●	S	Y	S	T	E	M	0	3	0	0	0	0	0	0	0
0 4	●	S	Y	S	T	E	M	0	4	0	0	0	0	0	0	0
0 5	●	S	Y	S	T	E	M	0	5	0	0	0	0	0	0	0
0 6	●	S	Y	S	T	E	M	0	6	0	0	0	0	0	0	0
0 7	●	S	Y	S	T	E	M	0	7	0	0	0	0	0	0	0
0 8	●	S	Y	S	T	E	M	0	8	0	0	0	0	0	0	0
0 9	●	S	Y	S	T	E	M	0	9	0	0	0	0	0	0	0
1 0	●	S	Y	S	T	E	M	1	0	0	0	0	0	0	0	0
1 1	●	S	Y	S	T	E	M	1	1	0	0	0	0	0	0	0
1 2	●	S	Y	S	T	E	M	1	2	0	0	0	0	0	0	0
1 3	●	S	Y	S	T	E	M	1	3	0	0	0	0	0	0	0

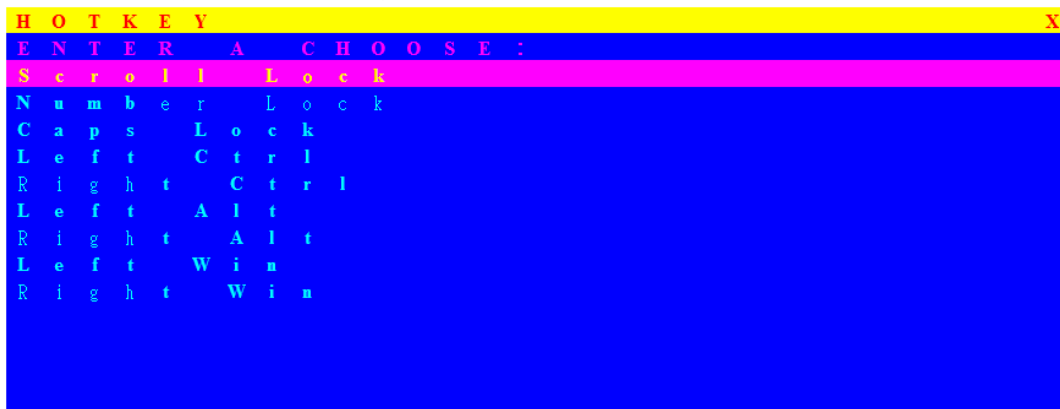
Only SUPERVISOR can set up the ACCESS LIST. The first column is the PC name list the following 8 column the access right of each ADMINISTRATOR (User). Use OSD MOUSE or Enter key to active/inactive the access right of each port. "X" means disable access and "O" means enable access.

Key functions of this menu are listed in the table below.

OSD Function Key	Description
Enter	Select
→↑←↓	Move
F1	Go to Main Menu
F2	Console off
F3	Back
Esc	Exit

### 10.5.3.5. Hotkey

Use the Hotkey option to change the key used to activate the hot key menu.



Some keyboards may not be equipped with all the special keys. Make sure the key you select is available on your keyboard.

Key functions of this menu are listed in the table below.

OSD Function Key	Description
Enter	Select
→↑←↓	Move
F1	Go to Main Menu
F2	Console off
F3	Back
Esc	Exit

### 10.5.3.6. Time Settings

Use the TIME SETTINGS option to change the amount of time that each port is displayed when using the Scan function. Define a display time between 05 and 99 seconds.



The "SCAN TIME: 10 SEC" means that scan interval from one PC port to next PC port. The default SCAN time is 10 seconds and the maximum scan time is 99 seconds. Use the keyboard, not the number pad to enter the SCAN TIME. Press "Enter" key to save the new SCAN TIME.

Key functions of this menu are listed in the table below.

OSD Function Key	Description
Enter	Save
F1	Go to Main Menu
F2	Console off
F3	Back
Esc	Exit

### 10.5.3.7. OSD Mouse

Use the OSD MOUSE option to change the move speed of the mouse cursor on the OSD menu.



There are three levels you can choose from. The fastest move speed is "FAST", the second is "MIDDLE" and the slowest is "SLOW". Use "↑" and "↓" keys on keyboard to move the highlight bar and select the move speed you want to use. Then, press the Enter Key to change the mouse cursor move speed.

Key functions of this menu are listed in the table below.

OSD Function Key	Description
Enter	Save
↑ / ↓	Move
F1	Go to Main Menu
F2	Console off
F3	Back
Esc	Exit

**OSD Function Keys**

## 10.6. Hot Plug

The KVM Switch supports “Hot Plug” function for any non-PS/2 connectors. You may Hot Plug the USB mouse or USB keyboard.

- Do not hot plug PS/2 ports
- Before attempting to “Hot Plug” a computer, please make sure the operating system and mouse software drive support the “Hot Plug” function. Some operating systems like SCO Unix and Linux do not support the “Hot Plug” function. If you “Hot Plug” a device to these systems, it will cause unpredictable behavior or shut the system down

## 11. Troubleshooting

1. The computer boots up fine, but the keyboard doesn't work
  - PS/2 keyboard or PS/2 mouse port is not designed for Hot Plug. USB mouse and keyboard can Hot Plug, but you need to wait few seconds for the Computer bus emulations.
  - Don't press any keys on the keyboard while the selected computer is booting up. Otherwise it might cause the keyboard error or keyboard is not detected on the Host side.
  - Make sure the keyboard works when directly plugged into the computer.
  - Try a different keyboard, but use only 101, 102 or 104-key keyboard.
2. The Mouse is not detected during PC boot up
  - Make sure to plug the mouse in first, and then plug in the keyboard.
  - Make sure the USB or PS/2 mouse works when directly plugged into the computer.
  - Avoiding moving the mouse or pressing the mouse buttons when switching ports.
3. No video signal display on the remote monitor
  - Please check that all VGA connectors are firmly connected.

## Appendix A: Specifications

### Specifications for 15" LCD Console with no KVM Switch

CPI Part Number	13715-301
Number of ports	1
Dimension	449.8 x 443.4 x 44 mm / 17.7 x 17.5 x 1.7 inches
Package Dimension	605 x 560 x 202 mm / 23.8 x 22.0 x 8.0 inches
Net Weight	11.4 Kg / 25 lbs
Gross Weight	16.8 Kg / 37 lbs (w/ cables)
Display Size	15 inches
Panel Type	Active Matrix TFT LCD
Resolution Capabilities	Maximum Resolution up to 1024 x 768 (XGA)
Pixel Pitch	Supports 0.297 mm x 0.297 mm
Viewing Angle (CR>10)	Right-Left view 130°(Typ) Up-Down View 100°(Typ)
Contrast Ratio	400:1
Brightness	White 250 cd/m <sup>2</sup> (Center 1 point Typ)
Back Light	Dual Lamps for Back Light
Supported Colors	16M Colors (6-bit with FRC)
Response Time	Rising Time 5 ms , Decay Time 11 ms
Operating System	Dos, Windows (3.1, 9x, 2000, NT4, ME, XP, 2003 Server) Linux, Novell 3.12-6, HP UX, SUN
Multi Platform	Support PS/2, SUN and USB
System Cables	VGA + PS/2 x 2 cable or USB X1 cable
Keyboard Mouse	106 key PS/2 keyboard with touch pad
Sync	45 ~ 80 KHz
Power Source	100 ~ 240 VAC input
Power Consumption	16W, 10.41W for Panel
Temperature	Operate 0 ~ 50°C / 32 ~ 122°F Storage -20 ~ 60°C / -4 ~ 140°F
Humidity	10% ~ 90% RH
Chassis Construction	Heavy duty steel materials
Keyboard Language	USA, UK, German, French, Spanish, Italian, Portuguese, Dutch, Swiss, Belgium, Swedish, Norwegian, Danish, Japan, Taiwan, Russian, Hebrew
Certification	CE / FCC, UL / CUL / C-Tick, RoHs Compliance

P/N 13715-301 includes one combination signal cables with 1 VGA and 2xPS/2 keyboard and mouse connectors and one USB cable.

### Specifications for 15" LCD/KVM Console with 8-port KVM Switch

CPI Part Numbers*	13715-008, 13715-108, 13715-208
Number of ports	8
Dimension	569.8 x 443.4 x 44 mm / 22.4 x 17.5 x 1.7 inches
Package Dimension	728 x 553 x 205 mm / 28.7 x 21.8 x 8.1 inches
Net Weight	12.3 Kg / 27 lbs
Gross Weight	17.5 Kg / 39 lbs (w/o cables)
Display Size	15 inches
Panel Type	Active Matrix TFT LCD
Resolution Capabilities	Maximum Resolution up to 1024 x 768 (XGA)
Pixel Pitch	Supports 0.297 mm x 0.297 mm
Viewing Angle (CR>10)	Right-Left view 130°(Typ) Up-Down View 100°(Typ)
Contrast Ratio	400:1
Brightness	White 250 cd/m <sup>2</sup> (Center 1 point Typ)
Back Light	Dual Lamps for Back Light
Supported Colors	16M Colors (6-bit with FRC)
Response Time	Rising Time 5 ms , Decay Time 11 ms
Operating System	Dos, Windows (3.1, 9x, 2000, NT4, ME, XP, 2003 Server) Linux, Novell 3.12-6, HP UX, SUN
Multi Platform	Support PS/2, SUN and USB
System Cables	VGA + PS/2 x2 cable or VGA + USB x1 cable
Keyboard Mouse	106 key PS/2 keyboard with touch pad
Sync	45 ~ 80 KHz
Power Source	100 ~ 240 VAC input
Power Consumption	16W, 10.41W for Panel
Temperature	Operate 0 ~ 50°C / 32 ~ 122°F Storage -20 ~ 60°C / -4 ~ 140°F
Humidity	10% ~ 90% RH
Chassis Construction	Heavy duty steel materials
Keyboard Language	USA, UK, German, French, Spanish, Italian, Portuguese, Dutch, Swiss, Belgium, Swedish, Norwegian, Danish, Japan, Taiwan, Russian, Hebrew
Certification	CE / FCC, UL / CUL / C-Tick, RoHs Compliance

P/N 13715-008 includes no signal cables.

P/N 13715-108 includes 8 signal cables with PS/2 keyboard and mouse connectors.

P/N 13715-208 includes 8 signal cables with an USB keyboard and mouse connector.

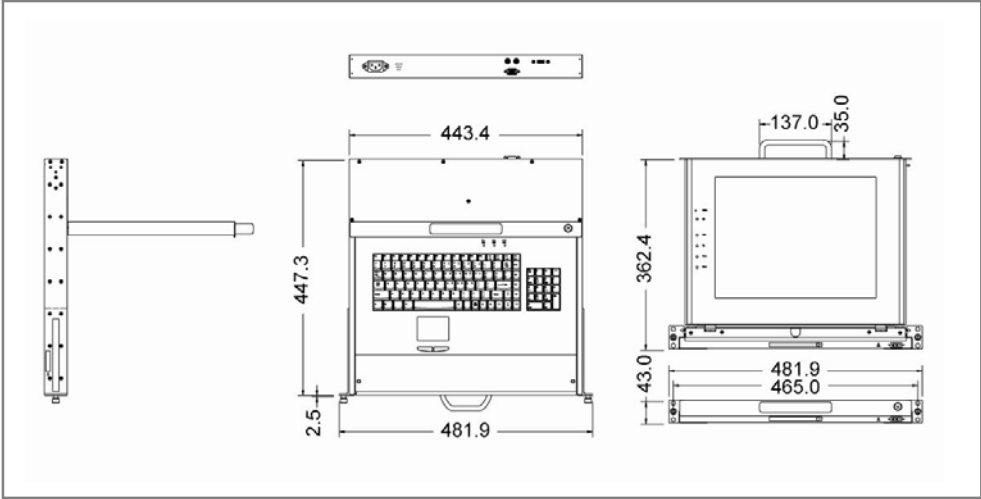
### Specifications for 15" LCD/KVM Console with 16-port KVM Switch

CPI Part Number*	13517-016, 13517-116, 13517-216
Number of ports	16
Dimension	569.8 x 443.4 x 44 mm / 22.4 x 17.5 x 1.7 inches
Package Dimension	728 x 553 x 205 mm / 28.7 x 21.8 x 8.1 inches
Net Weight	12.7 Kg / 28 lbs
Gross Weight	18.0 Kg / 39.7 lbs (w/o cables)
Display Size	15 inches
Panel Type	Active Matrix TFT LCD
Resolution Capabilities	Maximum Resolution up to 1024 x 768 (XGA)
Pixel Pitch	Supports 0.297 mm x 0.297 mm
Viewing Angle (CR>10)	Right-Left view 130°(Typ) Up-Down View 100°(Typ)
Contrast Ratio	400:1
Brightness	White 250 cd/m <sup>2</sup> (Center 1 point Typ)
Back Light	Dual Lamps for Back Light
Supported Colors	16M Colors (6-bit with FRC)
Response Time	Rising Time 5 ms , Decay Time 11 ms
Operating System	Dos, Windows (3.1, 9x, 2000, NT4, ME, XP, 2003 Server) Linux, Novell 3.12-6, HP UX, SUN
Multi Platform	Support PS/2, SUN and USB
System Cables	VGA + PS/2 x 2 cable or VGA+ USB x1 cable
Keyboard Mouse	106 key PS/2 keyboard with touch pad
Sync	45 ~ 80 KHz
Power Source	100 ~ 240 VAC input
Power Consumption	16W, 10.41W for Panel
Temperature	Operate 0 ~ 50°C / 32 ~122°F Storage -20 ~ 60°C / -4 ~140°F
Humidity	10% ~ 90% RH
Chassis Construction	Heavy duty steel materials
Keyboard Language	USA, UK, German, French, Spanish, Italian, Portuguese, Dutch, Swiss, Belgium, Swedish, Norwegian, Danish, Japan, Taiwan, Russian, Hebrew
Certification	CE / FCC, UL / CUL / C-Tick, RoHs Compliance

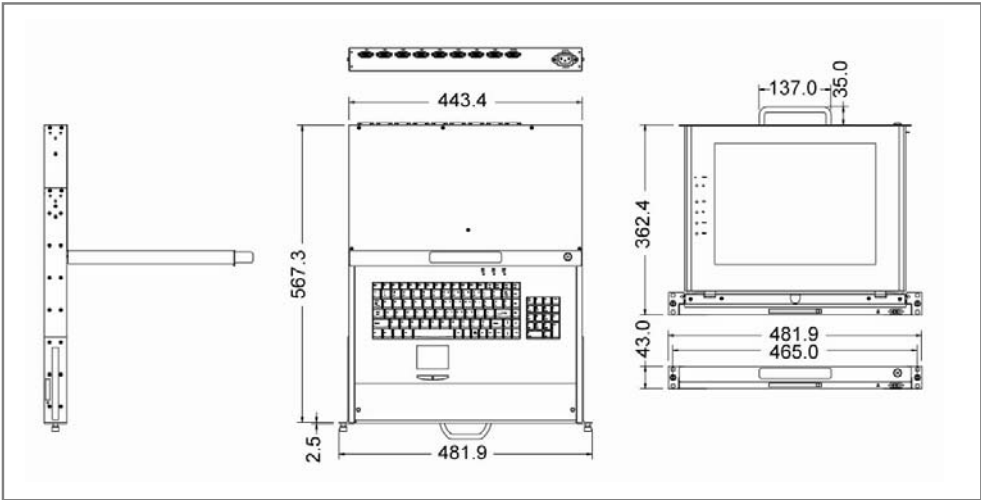
P/N 13715-016 includes no signal cables.

P/N 13715-116 includes 16 signal cables with PS/2 keyboard and mouse connectors.

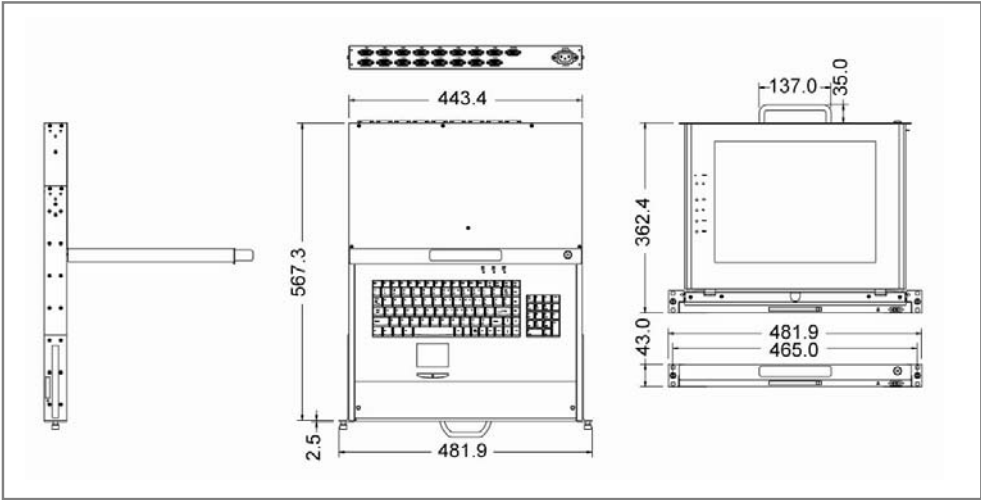
P/N 13715-216 includes 16 signal cables with an USB keyboard and mouse connector.



Metric Dimensions, 1-port 15" LCD Console (P/N 13715-301)



Metric Dimensions, 8-port 15" LCD/KVM Consoles (P/Ns 13715-008, 13715-108, 13715-208)



Metric Dimensions, 16-port 15" LCD/KVM Consoles (P/Ns 13715-016, 13715-116, 13715-216)

### Specifications for 17" LCD Console with no KVM Switch

CPI Part Number	13717-301
Number of ports	1
Dimension	449.8 x 443.4 x 44 mm / 17.7 x 17.5 x 1.7 inches
Package Dimension	605 x 560 x 202 mm / 23.8 x 22.0 x 8.0 inches
Net Weight	11.4 Kg / 25 lbs
Gross Weight	17.0 Kg / 37 lbs (w/ cables)
Display Size	17 inches
Panel Type	Active Matrix TFT LCD
Resolution Capabilities	Maximum Resolution up to 1280 x 1024 (SXGA)
Pixel Pitch	Supports 0.264 mm x 0.264 mm
Viewing Angle (CR>10)	Right-Left view 60° ~ 70°(Typ) Up-Down View 45° ~ 60°(Typ)
Contrast Ratio	450:1
Brightness	White 250 cd/m <sup>2</sup> (Center 1 point Typ)
Back Light	Four Lamps for Back Light
Supported Colors	16.2M Colors (6-bit with FRC)
Response Time	Rising Time 2 ms , Decay Time 14 ms
Operating System	Dos, Windows (3.1, 9x, 2000, NT4, ME, XP, 2003 Server) Linux, Novell 3.12-6, HP UX, SUN
Multi Platform	Support PS/2, SUN and USB
System Cables	VGA + PS/2 x 2 cable or USB x1 cable
Keyboard Mouse	106 key PS/2 keyboard with touch pad
Sync	45 ~ 80 KHz
Power Source	100 ~ 240 VAC input
Power Consumption	25W, 19.05W for Panel
Temperature	Operate 0 ~ 50°C / 32 ~ 122°F Storage -20 ~ 60°C / -4 ~ 140°F
Humidity	10% ~ 90% RH
Chassis Construction	Heavy duty steel materials
Keyboard Language	USA, UK, German, French, Spanish, Italian, Portuguese, Dutch, Swiss, Belgium, Swedish, Norwegian, Danish, Japan, Taiwan, Russian, Hebrew
Certification	CE / FCC, UL / CUL / C-Tick, RoHs Compliance

P/N 13717-301 includes one combination signal cables with 1 VGA and 2xPS/2 keyboard and mouse connectors and one USB cable.

### Specifications for 17" LCD/KVM Console with 8-port KVM Switch

CPI Part Numbers*	13717-008, 13717-108, 13717-208
Number of ports	8
Dimension	569.8 x 443.4 x 44 mm / 22.4 x 17.5 x 1.7 inches
Package Dimension	728 x 553 x 205 mm / 28.7 x 21.8 x 8.1 inches
Net Weight	12.3 Kg / 27 lbs
Gross Weight	17.5 Kg / 39 lbs (w/o cables)
Display Size	17 inches
Panel Type	Active Matrix TFT LCD
Resolution Capabilities	Maximum Resolution up to 1280 x 1024 (SXGA)
Pixel Pitch	Supports 0.264 mm x 0.264 mm
Viewing Angle (CR>10)	Right-Left view 60° ~ 70°(Typ) Up-Down View 45° ~ 60°(Typ)
Contrast Ratio	450:1
Brightness	White 250 cd/m <sup>2</sup> (Center 1 point Typ)
Back Light	Four Lamps for Back Light
Supported Colors	16.2M Colors (6-bit with FRC)
Response Time	Rising Time 2 ms , Decay Time 14 ms
Operating System	Dos, Windows (3.1, 9x, 2000, NT4, ME, XP, 2003 Server) Linux, Novell 3.12-6, HP UX, SUN
Multi Platform	Support PS/2, SUN and USB
System Cables	VGA + PS/2 x2 cable or VGA + USB x1 cable
Keyboard Mouse	106 key PS/2 keyboard with touch pad
Sync	45 ~ 80 KHz
Power Source	100 ~ 240 VAC input
Power Consumption	25W, 19.05W for Panel
Temperature	Operate 0 ~ 50°C / 32 ~ 122°F Storage -20 ~ 60°C / -4 ~ 140°F
Humidity	10% ~ 90% RH
Chassis Construction	Heavy duty steel materials
Keyboard Language	USA, UK, German, French, Spanish, Italian, Portuguese, Dutch, Swiss, Belgium, Swedish, Norwegian, Danish, Japan, Taiwan, Russian, Hebrew
Certification	CE / FCC, UL / CUL / C-Tick, RoHs Compliance

P/N 13717-008 includes no signal cables.

P/N 13717-108 includes 8 signal cables with PS/2 keyboard and mouse connectors.

P/N 13717-208 includes 8 signal cables with an USB keyboard and mouse connector.

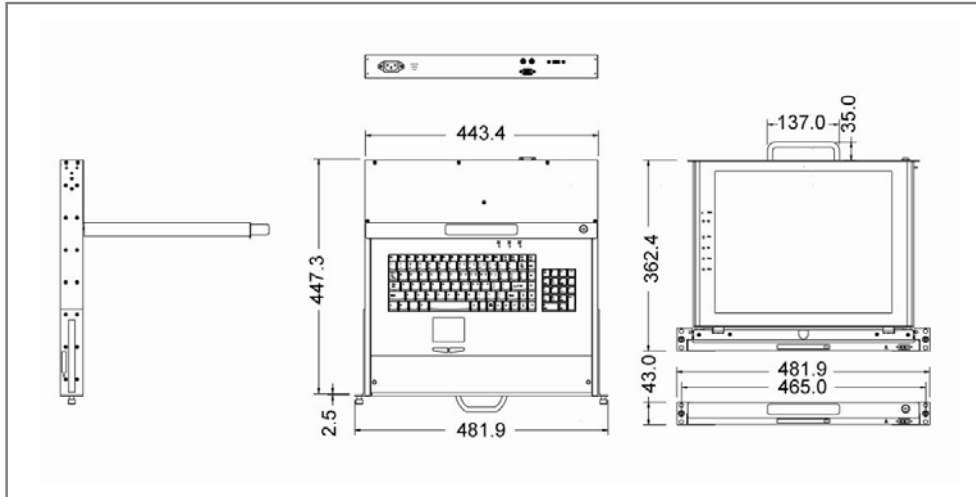
### Specifications for 17" LCD/KVM Console with 16-port KVM Switch

CPI Part Numbers*	13717-016, 13717-116, 13717-216
Number of ports	16
Dimension	569.8 x 443.4 x 44 mm / 22.4 x 17.5 x 1.7 inches
Package Dimension	728 x 553 x 205 mm / 28.7 x 21.8 x 8.1 inches
Net Weight	12.7 Kg / 28 lbs
Gross Weight	18.0 Kg / 40 lbs (w/o cables)
(Display Size	17 inches
Panel Type	Active Matrix TFT LCD
Resolution Capabilities	Maximum Resolution up to 1280 x 1024 (SXGA)
Pixel Pitch	Supports 0.264 mm x 0.264 mm
Viewing Angle (CR>10)	Right-Left view 60° ~ 70°(Typ) Up-Down View 45° ~ 60°(Typ)
Contrast Ratio	450:1
Brightness	White 250 cd/m <sup>2</sup> (Center 1 point Typ)
Back Light	Four Lamps for Back Light
Supported Colors	16.2M Colors (6-bit with FRC)
Response Time	Rising Time 2 ms , Decay Time 14 ms
Operating System	Dos, Windows (3.1, 9x, 2000, NT4, ME, XP, 2003 Server) Linux, Novell 3.12-6, HP UX, SUN
Multi Platform	Support PS/2, SUN and USB
System Cables	VGA + PS/2 x 2 cable or VGA + USB x1 cable
Keyboard Mouse	106 key PS/2 keyboard with touch pad
Sync	45 ~ 80 KHz
Power Source	100 ~ 240 VAC input
Power Consumption	25W, 19.05W for Panel
Temperature	Operate 0 ~ 50°C / 32 ~ 122°F Storage -20 ~ 60°C / -4 ~ 140°F
Humidity	10% ~ 90% RH
Chassis Construction	Heavy duty steel materials
Keyboard Language	USA, UK, German, French, Spanish, Italian, Portuguese, Dutch, Swiss, Belgium, Swedish, Norwegian, Danish, Japan, Taiwan, Russian, Hebrew
Certification	CE / FCC, UL / CUL / C-Tick, RoHs Compliance

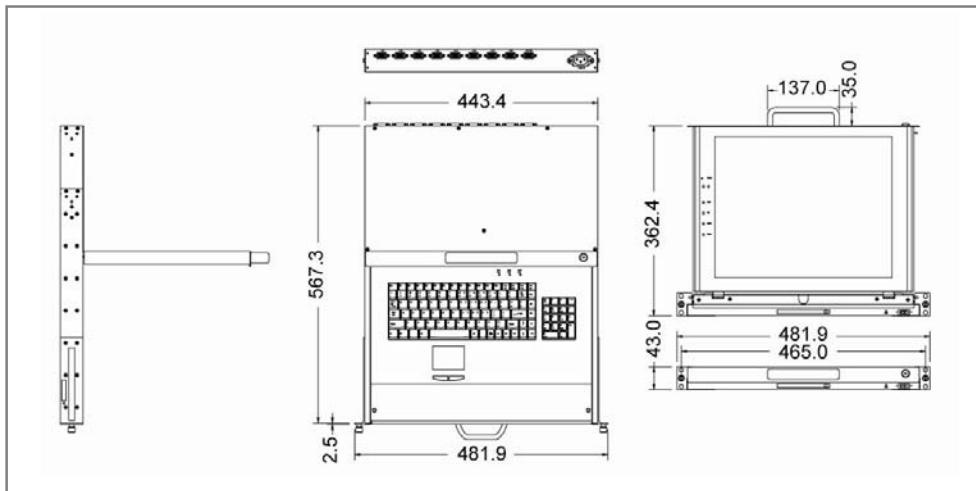
P/N 13717-016 includes no signal cables.

P/N 13717-116 includes 16 signal cables with PS/2 keyboard and mouse connectors.

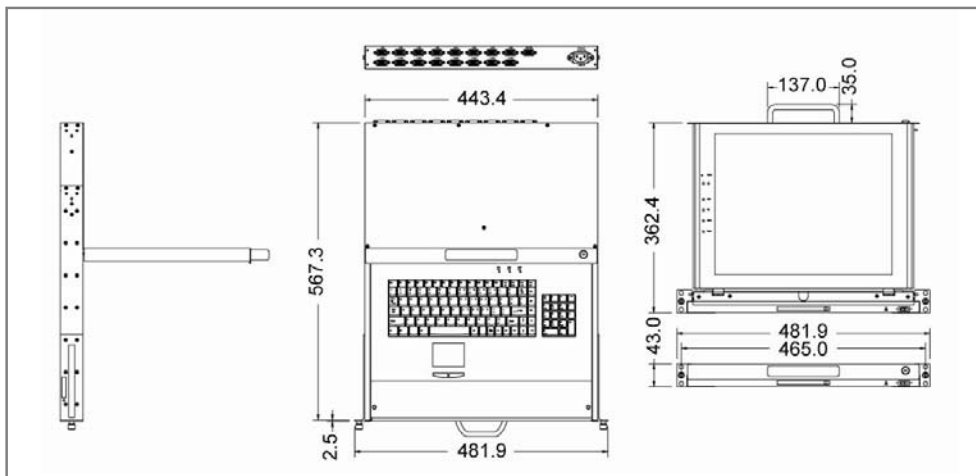
P/N 13717-216 includes 16 signal cables with an USB keyboard and mouse connector.



Metric Dimensions, 1-port 17" LCD Console (P/N 13717-301)



Metric Dimensions, 8-port 17" LCD/KVM Consoles (P/Ns 13717-008, 13717-108, 13717-208)



Metric Dimensions, 16-port 17" LCD/KVM Consoles (P/Ns 13717-016, 13717-116, 13717-216)

### Specifications for 19" LCD Console with no KVM Switch

CPI Part Number	13719-301
Number of ports	1
Dimension	511.3 x 443.5 x 44 mm / 20.1 x 17.5 x 1.7 inches
Package Dimension	664 x 564 x 185 mm / 26.1 x 22.2 x 7.3 inches
Net Weight	12.5 Kg / 27.6 lbs
Gross Weight	17.7 Kg /39 lbs (w/ cables)
Display Size	19 inches
Panel Type	Active Matrix TFT LCD
Resolution Capabilities	Maximum Resolution up to 1280 x 1024 (SXGA)
Pixel Pitch	Supports 0.098 mm x 0.294 mm
Viewing Angle (CR>10)	Right-Left view 140°(Typ) Up-Down View 140°(Typ)
Contrast Ratio	500:1
Brightness	White 250 cd/m <sup>2</sup> (Center 1 point Typ)
Back Light	Four Lamps for Back Light
Supported Colors	16.2M Colors (6-bit with FRC)
Response Time	Rising Time 2 ms , Decay Time 10 ms
Operating System	Dos, Windows (3.1, 9x, 2000, NT4, ME, XP, 2003 Server) Linux, Novell 3.12-6, HP UX, SUN
Multi Platform	Support PS/2, SUN and USB
System Cables	VGA + PS/2 x 2 cable or USB x1 cable
Keyboard Mouse	106 key PS/2 keyboard with touch pad
Sync	45 ~ 80 KHz
Power Source	100 ~ 240 VAC input
Power Consumption	25W, 21.05W for Panel
Temperature	Operate 0 ~ 50°C / 32 ~ 122°F Storage -20 ~ 60°C / -4 ~ 140°F
Humidity	10% ~ 90% RH
Chassis Construction	Heavy duty steel materials
Keyboard Language	USA, UK, German, French, Spanish, Italian, Portuguese, Dutch, Swiss, Belgium, Swedish, Norwegian, Danish, Japan, Taiwan, Russian, Hebrew
Certification	CE / FCC, UL / CUL / C-Tick, ROHs Compliance

P/N 13719-301 includes one combination signal cables with 1 VGA and 2xPS/2 keyboard and mouse connectors and one USB cable.

### Specifications for 19" LCD/KVM Console with 8-port KVM Switch

CPI Part Numbers*	13719-008, 13719-108, 13719-208
Number of ports	8
Dimension	631.3 x 443.5 x 44 mm / 24.9 x 17.5 x 1.7 inches
Package Dimension	788 x 564 x 185 mm / 31.0 x 22.2 x 7.3 inches
Net Weight	13.17 Kg / 29 lbs
Gross Weight	20.0 Kg / 44 lbs (w/o cables)
Display Size	19 inches
Panel Type	Active Matrix TFT LCD
Resolution Capabilities	Maximum Resolution up to 1280 x 1024 (SXGA)
Pixel Pitch	Supports 0.098 mm x 0.294 mm
Viewing Angle (CR>10)	Right-Left view 140°(Typ) Up-Down View 140°(Typ)
Contrast Ratio	500:1
Brightness	White 250 cd/m <sup>2</sup> (Center 1 point Typ)
Back Light	Four Lamps for Back Light
Supported Colors	16.2M Colors (6-bit with FRC)
Response Time	Rising Time 2 ms , Decay Time 10 ms
Operating System	Dos, Windows (3.1, 9x, 2000, NT4, ME, XP, 2003 Server) Linux, Novell 3.12-6, HP UX, SUN
Multi Platform	Support PS/2, SUN and USB
System Cables	VGA + PS/2 x 2 cable or VGA + USB x1 cable
Keyboard Mouse	106 key PS/2 keyboard with touch pad
Sync	45 ~ 80 KHz
Power Source	100 ~ 240 VAC input
Power Consumption	25W, 21.05W for Panel
Temperature	Operate 0 ~ 50°C / 32 ~ 122°F Storage -20 ~ 60°C / -4 ~ 140°F
Humidity	10% ~ 90% RH
Chassis Construction	Heavy duty steel materials
Keyboard Language	USA, UK, German, French, Spanish, Italian, Portuguese, Dutch, Swiss, Belgium, Swedish, Norwegian, Danish, Japan, Taiwan, Russian, Hebrew
Certification	CE / FCC, UL / CUL / C-Tick, RoHs Compliance

P/N 13719-008 includes no signal cables.

P/N 13719-108 includes 8 signal cables with PS/2 keyboard and mouse connectors.

P/N 13719-208 includes 8 signal cables with an USB keyboard and mouse connector.

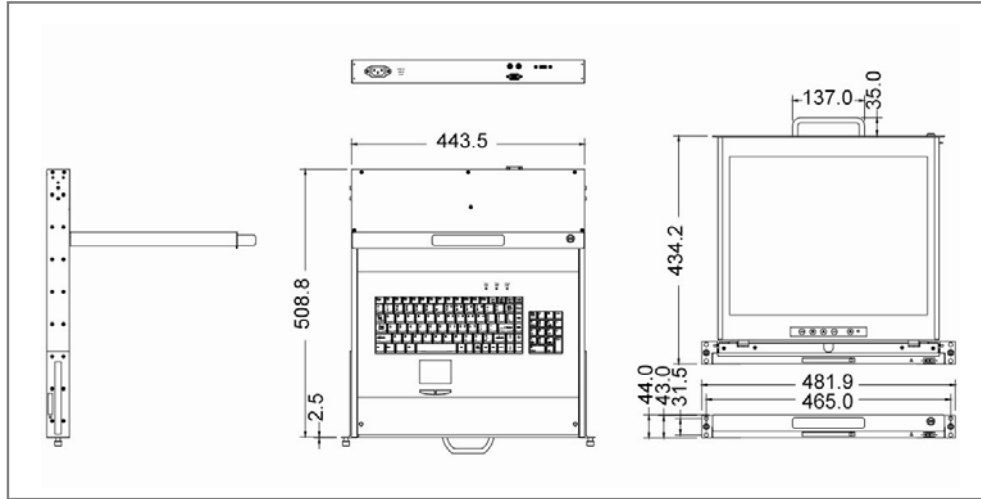
### Specifications for 19" LCD/KVM Console with 16-port KVM Switch

CPI Part Numbers*	13719-016, 13719-116, 13719-216
Number of ports	16
Dimension	631.3 x 443.5 x 44 mm / 24.9 x 17.5 x 1.7 inches
Package Dimension	788 x 564 x 185 mm / 31.0 x 22.2 x 7.3 inches
Net Weight	13.6 Kg / 30 lbs
Gross Weight	20.5 Kg / 45 lbs (w/o cables)
Display Size	19 inches
Panel Type	Active Matrix TFT LCD
Resolution Capabilities	Maximum Resolution up to 1280 x 1024 (SXGA)
Pixel Pitch	Supports 0.098 mm x 0.294 mm
Viewing Angle (CR>10)	Right-Left view 140°(Typ) Up-Down View 140°(Typ)
Contrast Ratio	500:1
Brightness	White 250 cd/m <sup>2</sup> (Center 1 point Typ)
Back Light	Four Lamps for Back Light
Supported Colors	16.2M Colors (6-bit with FRC)
Response Time	Rising Time 2 ms , Decay Time 10 ms
Operating System	Dos, Windows (3.1, 9x, 2000, NT4, ME, XP, 2003 Server) Linux, Novell 3.12-6, HP UX, SUN
Multi Platform	Support PS/2, SUN and USB
System Cables	VGA + PS/2 x 2 cable or VGA + USB x1 cable
Keyboard Mouse	106 key PS/2 keyboard with touch pad
Sync	45 ~ 80 KHz
Power Source	100 ~ 240 VAC input
Power Consumption	25W, 21.05W for Panel
Temperature	Operate 0 ~ 50°C / 32 ~ 122°F Storage -20 ~ 60°C / -4 ~ 140°F
Humidity	10% ~ 90% RH
Chassis Construction	Heavy duty steel materials
Keyboard Language	USA, UK, German, French, Spanish, Italian, Portuguese, Dutch, Swiss, Belgium, Swedish, Norwegian, Danish, Japan, Taiwan, Russian, Hebrew
Certification	CE / FCC, UL / CUL / C-Tick, RoHs Compliance

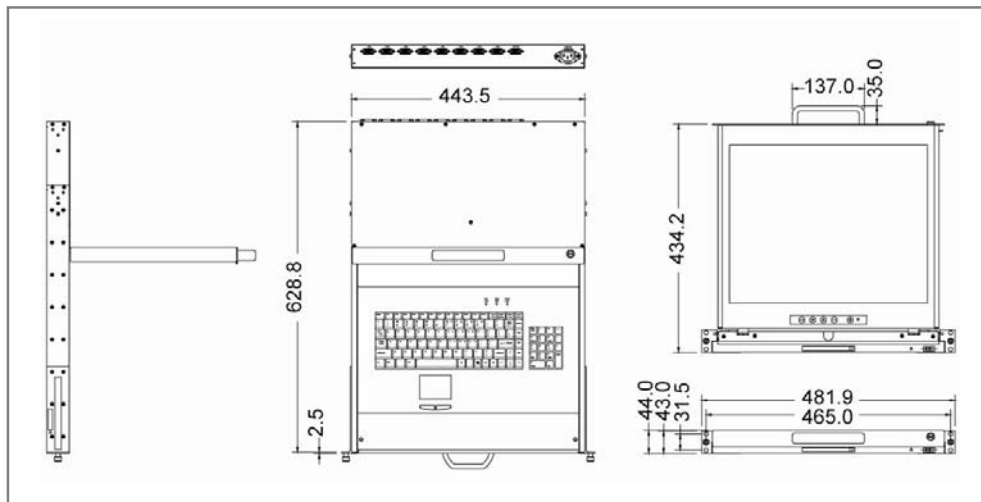
P/N 13719-016 includes no signal cables.

P/N 13719-116 includes 16 signal cables with PS/2 keyboard and mouse connectors.

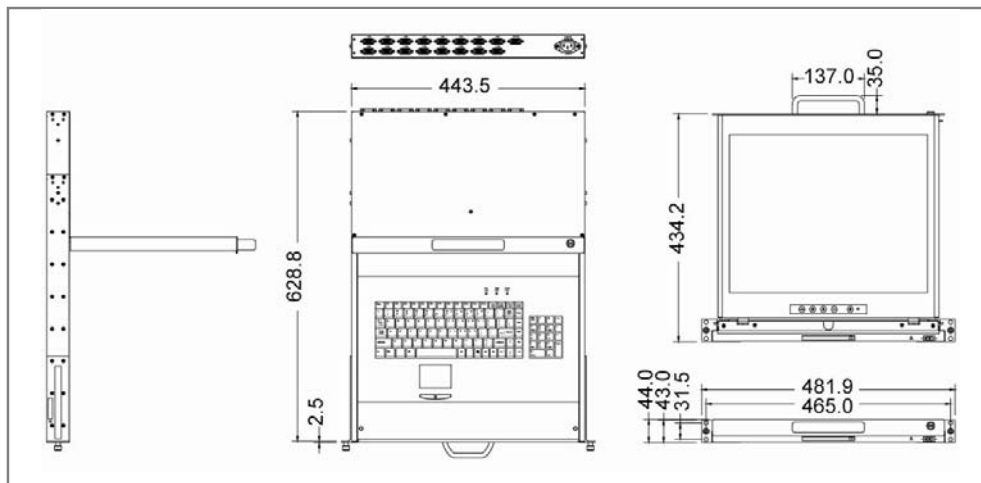
P/N 13719-216 includes 16 signal cables with an USB keyboard and mouse connector.



Metric Dimensions, 1-port 19" LCD Console (P/N 13719-301)



Metric Dimensions, 8-port 19" LCD/KVM Consoles (P/Ns 13719-008, 13719-108, 13719-208)



Metric Dimensions, 16-port 19" LCD/KVM Consoles (P/Ns 13719-016, 13719-116, 13719-216)

### Technical Specifications for 8-port and 16-port KVM Switches

Feature	Specification
KVM Type	PS/2 and USB interface KVM switch
PC Port Connector	HDDB-15
PC Ports	8 / 16
Max. Distance (KVM switch-to-Computer)	5 m (15 ft)
Daisy Chaining	Support Daisy Chaining with both Bus (8-layer) and Tree (2-layer) topologies, DB15 Female Connector
Computer port selection	On Screen Display (OSD) Menu, Hot Key, Push Button
Hotkey	Provide various Hotkey (Scroll-Lock/ Cap-Lock/ Num-Lock/ Alt/ Ctrl/ Win)
Security	Provide ACL (Access Control List) security function, store up to 8 independent controllable Computers lists
Multilingual OSD (On Screen Display) control	8 languages (English, France, German, Spanish, Italian, Russian, Japanese, Simplified Chinese)
Auto-Scan Intervals	5 ~ 99 Sec.
Keyboard Emulation	PS/2 or USB
Mouse Emulation	PS/2 or USB

Rear panel of the 8-port LCD/KVM Console:



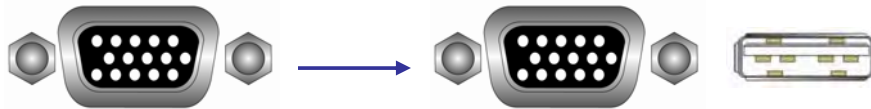
Rear panel of the 16-port LCD/KVM Console:



## Cable Diagrams

LCD/KVM Consoles use combination signal cables with an HDDB-15 pin male connector on the Console side and one HDDB-15 pin male connector (VGA for panel) with two Mini Din 6 pin connectors (for PS/2 keyboard and mouse) or one USB connector (for USB keyboard and mouse) on the computer side.

USB Signal Cable has 1 HDDB-15 connector to 1 VGA and 1 USB connectors:



PS/2 Signal Cable has 1 HDDB-15 connector to 1 VGA and 2 Mini Din 6 connectors:



The Expansion Cable or Daisy Chain Cable used to connect the Console to KVM Expansion Units or Expansion Units to Expansion Units has a HDDB-15 pin Male connector on each end. This is not a standard VGA cable; a standard VGA cable cannot be substituted as an Expansion Cable.

Expansion Cable has 1 HDDB-15 connector on each end:

