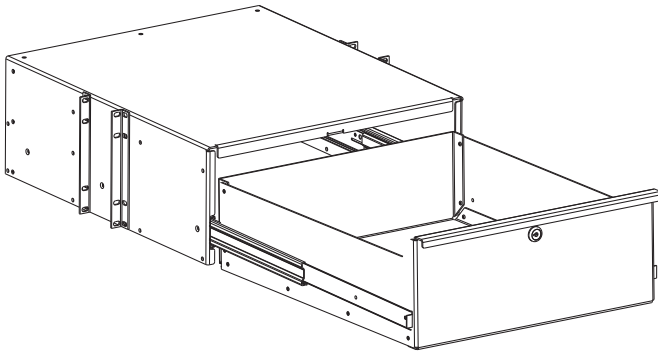


# Frequently Asked Questions

## LOCKABLE STORAGE DRAWER



13082-X19  
13082-X23

13083-X19  
13083-X23

13084-X19  
13084-X23

### Q-When should Lockable Storage Drawer be used?

A. Lockable Storage Drawer provides a convenient, lockable rack-mount storage area within most 19" wide or 23" wide freestanding CPI racks or cabinets. Use it for backup media, software, manuals, laptops, test equipment, extra power supplies and other hardware, computer cables or patch cords.

### Q-How is the Lockable Storage Drawer secured?

A. A single tumbler centered on the front face of the drawer is used to secure the drawer. Two keys are included. Storage drawers are keyed alike allowing multiple drawers to be placed in the same rack or cabinet and accessed with the same key.

### Q-Can Lockable Storage Drawer be used as a shelf and drawer?

A. Yes, the top surface of Lockable Storage Drawer may be used as a shelf to support a monitor and keyboard or other equipment. The combined load of the top surface and interior drawer must not exceed 100 lb.

### Q-How does Lockable Storage Drawer attached to both two-post racks and four-post racks/cabinets?

A. Lockable Storage Drawer includes two sets of brackets: two pair of L-Shaped fixed brackets that allow attachment to 3" deep (80 mm) or 6" deep (150 mm) two-post rack channels and a larger, adjustable depth L-shaped bracket that can be extended from the rear of the drawer to accommodate attachment to four-post racks/cabinets. The brackets can be repositioned along the side of the drawer so that

they are located in the center for two-post racks or at the front and rear for four-post racks/cabinets.

### Q-On which CPI Cabinet and Rack Systems can the Lockable Storage Drawer be used?

A. It can be used in the following products:

- M-Series MegaFrame® Cabinets that are 24" to 39" deep (610 mm to 990 mm) - not in 14" deep (360 mm) M-Series Mini Data network cabinets
- All C-Series SlimFrame® Cabinets (cabinet rails must be set at maximum depth to be used in 22" deep (560 mm) C-Series SlimFrame)
- All Seismic Frame® Cabinets
- All E-Series ISP Co-Location Cabinets
- All T-Series SteelFrame Cabinets (cabinet rails must be set at maximum depth to be used in 22.6" deep (574 mm) T-Series SteelFrame)
- All 66-Series Cabinets
- Universal Racks that are 19" and 23" wide (not on legacy 25" wide or 35" wide (616 mm or 889 mm) models)
- All Standard Racks
- 6" Deep (152 mm) Standard Racks that are 19" and 23" wide (not on 35" wide (889 mm) models)
- High Density Patching Frame
- All QuadraRack™ 4-Post Frames and QuadraRack™ Server Frames

### Q-Can the Lockable Storage Drawer be mounted on CPI wall mounted Racks?

A. It may be center mounted on CPI wall mount racks that are greater than 12" deep (300 mm). Caution should be exercised by user because the drawer may protrude into walkways. It may be panel mounted on the 24" deep (610 mm) Fixed Heavy Duty Wall Rack or 25" deep (640 mm) Standard Swing Gate Wall Rack using the one pair of the Fixed Short Brackets on the front and one pair of the Adjustable Long Brackets turned in reverse to attach to the back of the mounting rail. (Load rating will be degraded because of the weight being cantilevered to the rear.)

### Q-Can the Lockable Storage Drawer be mounted on competitor racks and cabinets?

A. The Lockable Storage Drawer will mount on competitor two-post racks with EIA-310D hole mounting pattern and 3" deep or 6" deep (80 mm or 150 mm) channels. The Lockable Storage Drawer will mount on competitor four-post racks/cabinets with EIA-310D hole mounting pattern and rail depths of 24" to 39" (610 mm to 990 mm).

### Q-How much can Lockable Storage Drawer store?

A. Lockable Storage Drawer is 20" deep (510 mm) and accommodates a combined load of 100 lb (45.4 kg) between the drawer interior and the top surface. Lockable Storage Drawer is available in three

# Frequently Asked Questions

## LOCKABLE STORAGE DRAWER

heights: 2 RMU, 3 RMU and 4 RMU. Specific dimensions are given in the tables below:

19" Rack Drawers							
Part Number	Rack Spaces	Exterior (Box) Dimensions			Interior (Drawer) Dimensions		
		Width	Height	Depth	Width	Height	Depth
13082-X19	2 RMU	17.2"	3.38"	20.5"	15.5"	2.36"	19.75"
13083-X19	3 RMU	17.2"	5.13"	20.5"	15.5"	3.35"	19.75"
13084-X19	4 RMU	17.2"	6.88"	20.5"	15.5"	5.10"	19.75"

23" Rack Drawers							
Part Number	Rack Spaces	Exterior (Box) Dimensions			Interior (Drawer) Dimensions		
		Width	Height	Depth	Width	Height	Depth
13082-X23	2 RMU	21.2"	3.38"	20.5"	19.5"	2.36"	19.75"
13083-X23	3 RMU	21.2"	5.13"	20.5"	19.5"	3.35"	19.75"
13084-X23	4 RMU	21.2"	6.88"	20.5"	19.5"	5.10"	19.75"

**Q~When should the drawer divider accessory (P/N 13185-X01) be used?**

A. Use drawer divider with the 3 and 4 RMU Drawers (P/N 13083 & 13084) to create to create tape or CD storage. Drawer divider separates the drawer into 5" wide (130 mm) sections to organize and store CD cases or DLT-III Tape cases. Drawer divider may also be used with the 23" wide drawers by adjusting intersecting location of the center divider panel. CD and Tape quantities are given in the tables below:

19" Rack Drawers			
Part Number	Rack Spaces	CD Storage	DLT-III Storage
13082-X19	2 RMU	-	-
13083-X19	3 RMU	-	48
13084-X19	4 RMU	144	48

23" Rack Drawers			
Part Number	Rack Spaces	CD Storage	DLT-III Storage
13082-X23	2 RMU	-	-
13083-X23	3 RMU	-	64
13084-X23	4 RMU	192	64

NOTE: Quantities based on 5" x 5-3/4" x 7/16" CD cases or 4-3/8" x 4-3/8" x 1-1/4" DLT-III Tape cases.

