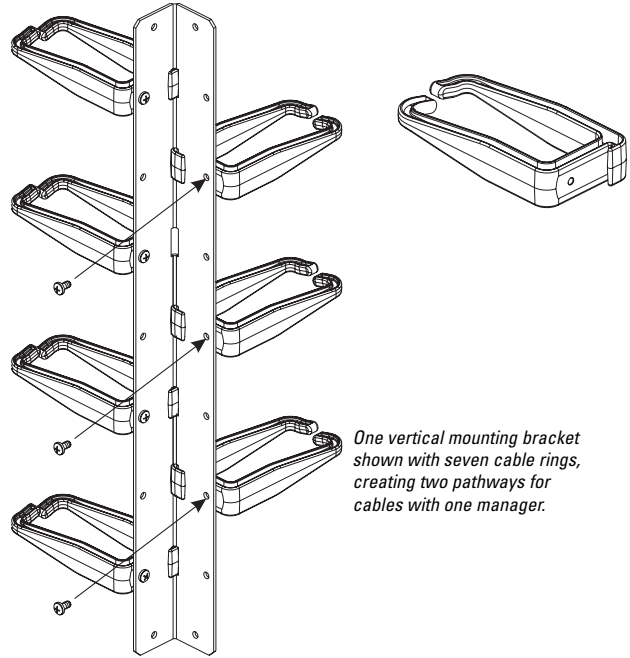


# Product Information Sheet

## MEGAFAME SEISMIC EQUIPMENT BRACKET

The kit includes eight, heavy-duty molded plastic cable rings and eight mounting screws. Each ring can be oriented parallel or perpendicular to the cabinet's mounting rails. In addition, cable rings can be detached from or added to the vertical mounting bracket to accommodate your cable routing needs and to allow more flexibility with cable management.

- Add to Vertical Cable Manager (P/N 12465-X0X)
- Kit includes eight 5.5"D x 2.3"W (140 mm x 58 mm) heavy-duty plastic rings for additional internal cable management
- Rings attach easily and are secured with included screw
- U-ring design allows easy insertion of cable, providing more flexibility in cable management
- Rounded edges protect cable sheaths



*One vertical mounting bracket shown with seven cable rings, creating two pathways for cables with one manager.*

Part Number	Color	Shipping Weight
14068-701	Black	3 lb (1.4 kg)

800-834-4969 in U.S. & Canada • [www.chatsworth.com](http://www.chatsworth.com)



CHATSWORTH PRODUCTS, INC.

©2010 Chatsworth Products, Inc. All rights reserved. CPI, CPI Passive Cooling, Saf-T-Grip, Seismic Frame, SlimFrame, MegaFrame and TeraFrame are federally registered trademarks of Chatsworth Products, Inc. Cube-iT Plus, Evolution, OnTrac, QuadraRack and Simply Efficient are trademarks of Chatsworth Products, Inc. All other trademarks belong to their respective companies. 01/10