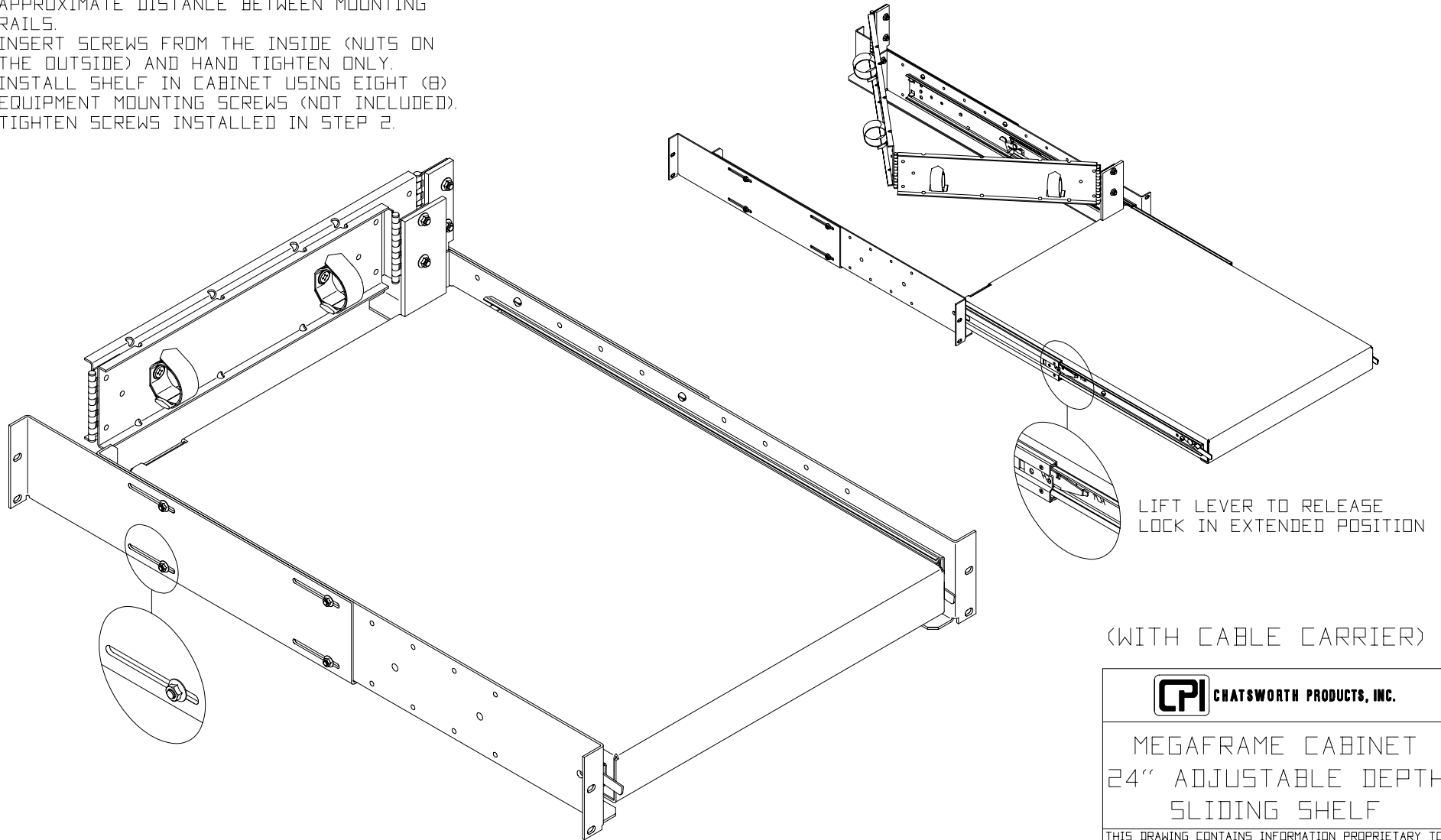


1. ADJUST REAR MOUNTING BRACKETS TO THE APPROXIMATE DISTANCE BETWEEN MOUNTING RAILS.
2. INSERT SCREWS FROM THE INSIDE (NUTS ON THE OUTSIDE) AND HAND TIGHTEN ONLY.
3. INSTALL SHELF IN CABINET USING EIGHT (8) EQUIPMENT MOUNTING SCREWS (NOT INCLUDED).
4. TIGHTEN SCREWS INSTALLED IN STEP 2.



LIFT LEVER TO RELEASE  
LOCK IN EXTENDED POSITION

(WITH CABLE CARRIER)

 CHATSWORTH PRODUCTS, INC.

MEGAFRAME CABINET  
24" ADJUSTABLE DEPTH  
SLIDING SHELF

THIS DRAWING CONTAINS INFORMATION PROPRIETARY TO CHATSWORTH PRODUCTS, INC. ANY REPRODUCTION, DISCLOSURE OR USE OF THIS DRAWING IS EXPRESSLY FORBIDDEN EXCEPT AS AGREED TO IN WRITING BY CHATSWORTH PRODUCTS, INC.