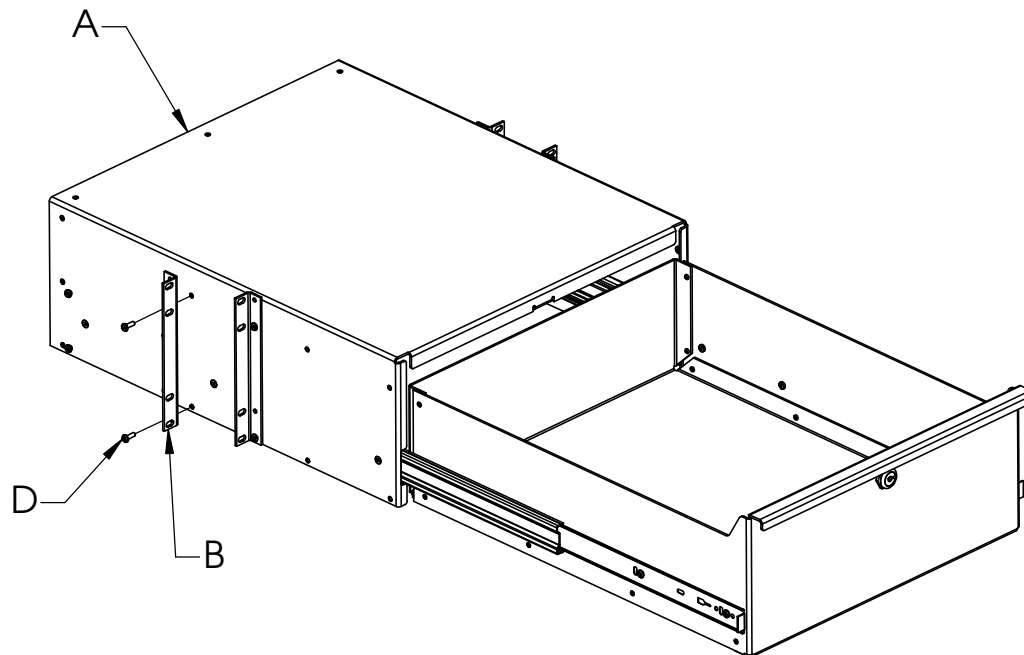


INSTALLATION INSTRUCTIONS

STORAGE DRAWER

INSTRUCTIONS (2-POST RACK)

1. Attach one set of Fixed Brackets (B) to the rear middle set of captured nuts on the left and right sides of the Drawer Assembly (A) as shown, using four (4) 8-32 x 1/2" screws (D).
2. Secure the assembly to the rear side of the rack channels, using mounting screws (not provided).
3. Attach the remaining Fixed Brackets (B) to the appropriate front set of captured nuts on the left and right sides of the Drawer Assembly (A), using four (4) 8-32 x 1/2" screws (D).
4. Secure the front Fixed Brackets to the front side of the rack channels, using mounting screws (not provided).



PART NUMBERS

13082-X19	13082-X23
13083-X19	13083-X23
13084-X19	13084-X23

COMPONENTS

Item	Quantity	Component Description
A	1	Drawer Assembly
B	4	Fixed Short Brackets
C	2	Adjustable Long Brackets
D	12	8-32 x 1/2" Screw
E	2	Keys

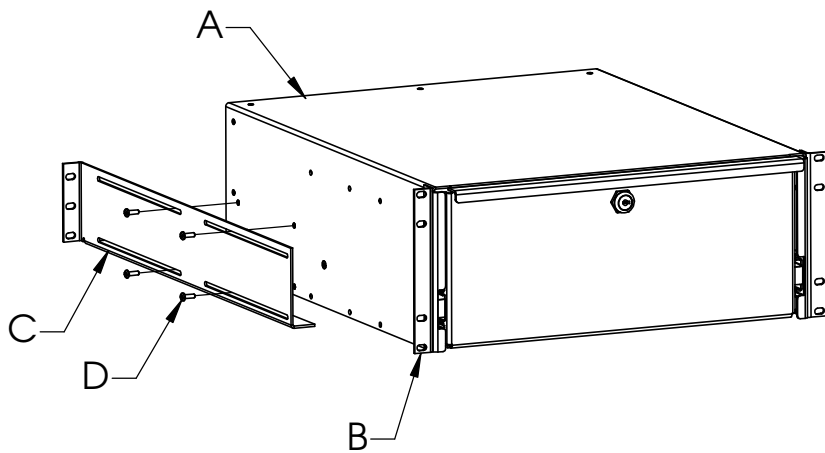
CPI CHATSWORTH PRODUCTS, INC.

STORAGE DRAWER,
LOCKABLE,

THIS DRAWING CONTAINS INFORMATION PROPRIETARY TO CHATSWORTH PRODUCTS, INC. ANY REPRODUCTION DISCLOSURE OR USE OF THIS DRAWING IS EXPRESSLY FORBIDDEN EXCEPT AS AGREED TO IN WRITING BY CHATSWORTH PRODUCTS, INC.

INSTRUCTIONS (4-POST RACK)

1. Attach one set of Fixed Brackets (B) to the front set of captured nuts on the left and right sides of the Drawer Assembly (A) as shown, using four (4) 8-32 x 1/2" screws (D).
2. Loosely attach the Adjustable Brackets (C) to the rear captured nuts of the Drawer Assembly (A), using eight (8) 8-32 x 1/2" screws (D).
3. Position the Drawer Assembly in the cabinet and adjust the depth of the Adjustable Brackets. Secure the front and rear brackets to the mounting rails of the cabinet, using mounting screws (not provided).
4. Tighten the eight (8) 8-32 x 1/2" screws of the Adjustable Brackets.



OPTIONAL DRAWER DIVIDER KIT

SHEET 2

PART NUMBER 13185-X01

COMPONENTS

Item	Quantity	Component Description
A	2	Long Divider Partitions
B	3	Short Divider Partitions

INSTRUCTIONS

1. Place both Long Divider Partitions (A) lengthwise in Storage Drawer, dividing the space into thirds with the open slots facing up.
2. Slip Short Divider Partitions (B) perpendicular into appropriate slots of the Long Divider Partitions, dividing the drawer space into quarters.

