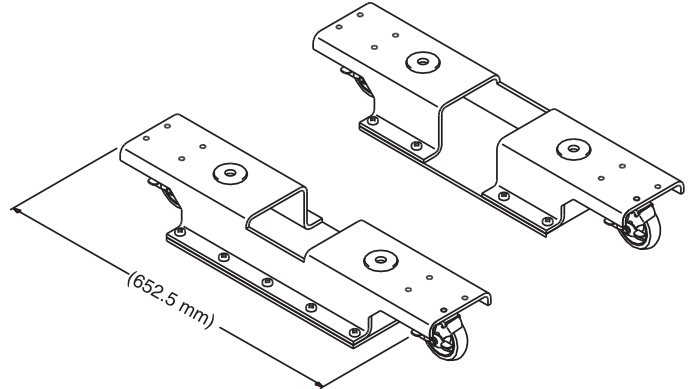


Product Cut Sheet

MID-SIZE RACK DOLLY

Allows rack to be easily moved, providing access to equipment for maintenance, testing, cleaning, etc. The front wheel may be locked to prevent unintentional movement.

- Two-piece construction of 1/4" aluminum
- Load capacity 750 pounds
- Mounts to most CPI Universal and Standard racks. NOTE: Dolly will not fit UPS frame, Controller/Large Equipment frame or 6" High Density frame
- Unique upside-down base angle assembly design adds 1-1/4" to rack's height
- Full swivel capability allows racks to move easily forwards or backwards to gain greater access to equipment
- Fits within CPI single rack enclosures
- Complete with hardware; Sold in pairs



Note: Vertical cabling sections cannot be used on dolly-equipped racks.

Part Number	Description	Shipping Weight
11643-X01	Mid-Size Rack Dolly	24 lb

Note: X=color: 1=Gray, 2=White, 5 = Clear, 7=Black

800-834-4969 in U.S. & Canada • www.chatsworth.com



CHATSWORTH PRODUCTS, INC.

©2010 Chatsworth Products, Inc. All rights reserved. CPI, CPI Passive Cooling, MegaFrame, Saf-T-Grip, Seismic Frame, SlimFrame, TeraFrame, Cube-iT Plus, Evolution, OnTrac, and QuadraRack are federally registered trademarks of Chatsworth Products, Inc. GlobalFrame, Simply Efficient and Velocity are trademarks of Chatsworth Products, Inc. All other trademarks belong to their respective companies. 12/10