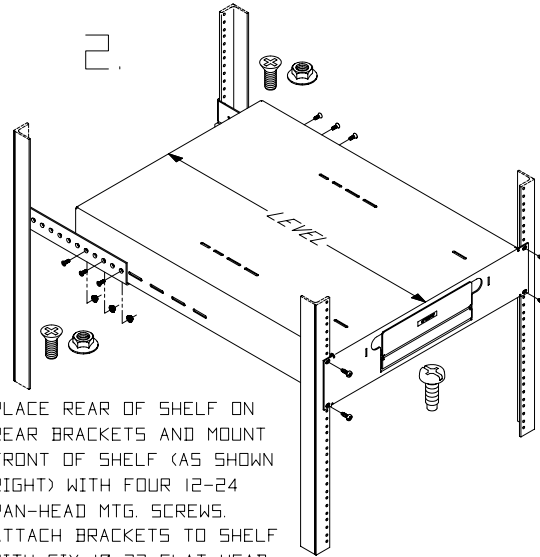
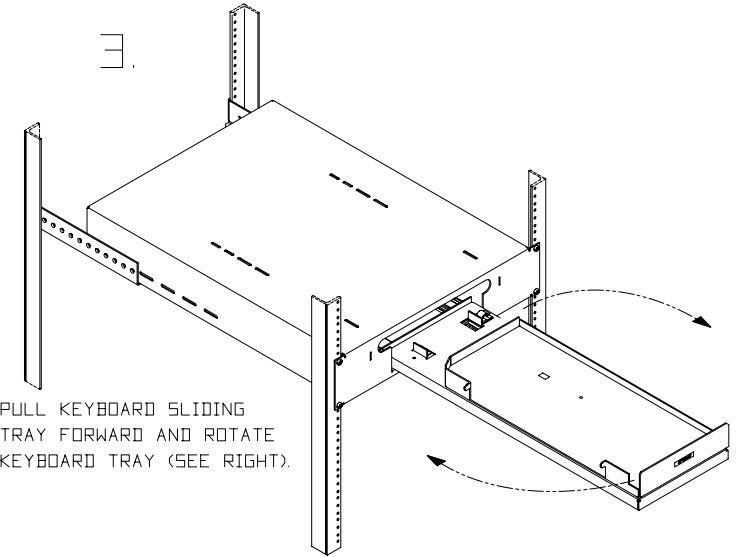


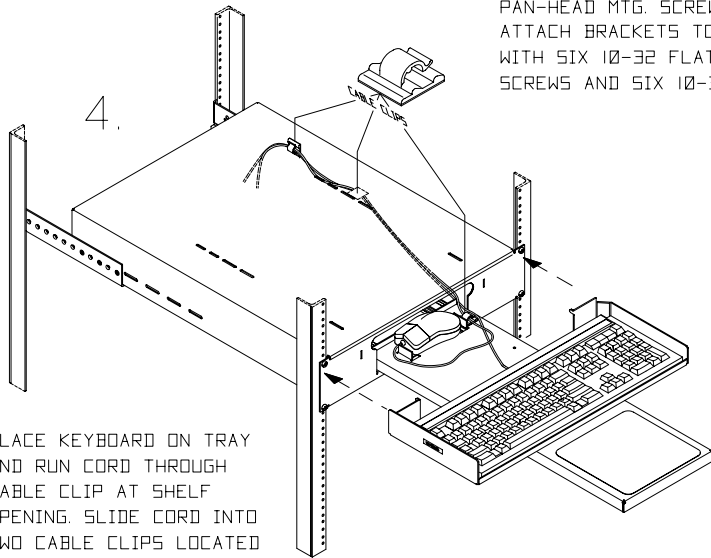
1.
MOUNT REAR BRACKETS TO REAR MOUNTING ANGLES AS SHOWN ABOVE, WITH TWO EACH 12-24 PAN-HEAD MOUNTING SCREWS.



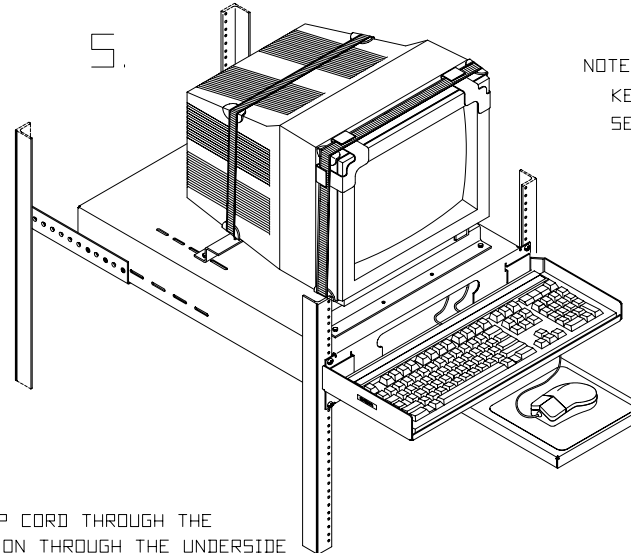
2.
PLACE REAR OF SHELF ON REAR BRACKETS AND MOUNT FRONT OF SHELF (AS SHOWN RIGHT) WITH FOUR 12-24 PAN-HEAD MTG. SCREWS. ATTACH BRACKETS TO SHELF WITH SIX 10-32 FLAT-HEAD SCREWS AND SIX 10-32 HEX FLANGE NUTS (FROM INSIDE).



3.
PULL KEYBOARD SLIDING TRAY FORWARD AND ROTATE KEYBOARD TRAY (SEE RIGHT).



4.
PLACE KEYBOARD ON TRAY AND RUN CORD THROUGH CABLE CLIP AT SHELF OPENING. SLIDE CORD INTO TWO CABLE CLIPS LOCATED UNDER SHELF AT THE UNDERSIDE RIGHT.



5.
PLACE MOUSE IN STORAGE SPACE BETWEEN TABS (AS SHOWN ABOVE). SLIP CORD THROUGH THE ADJACENT CABLE CLIP AND ON BACK THROUGH THE SHELF OPENING THEN ON THROUGH THE UNDERSIDE CABLE CLIPS. PULL MOUSE FORWARD WITH ITS CORD UNDER RIGHT SIDE OF THE KEYBOARD TRAY (SEE FIG. 5). PUSH TRAY BACK AGAINST SHELF FRONT. (TABS SHOULD ENGAGE INTO SLOTS ON SHELF FRONT)

NOTE:
KEYBOARD SHELF ACCOMMODATES SERIES 11725 SEISMIC MONITOR TIE-DOWN KIT (AS SHOWN).

CPI CHATSWORTH PRODUCTS, INC.

MEGAFRAME
KEYBOARD/MOUSE PAD
SHELF-INSTALLATION

THIS DRAWING CONTAINS INFORMATION PROPRIETARY TO CHATSWORTH PRODUCTS, INC. ANY REPRODUCTION, DISCLOSURE OR USE OF THIS DRAWING IS EXPRESSLY FORBIDDEN EXCEPT AS AGREED TO IN WRITING BY CHATSWORTH PRODUCTS, INC.