

Installation Instructions

Movable Mid-Section

Intended Use

Mid-Sections are intended for the Double Sided Evolution™ g2 Cable Manager only.

Tool Required

#3 Phillips screwdriver

Included Hardware

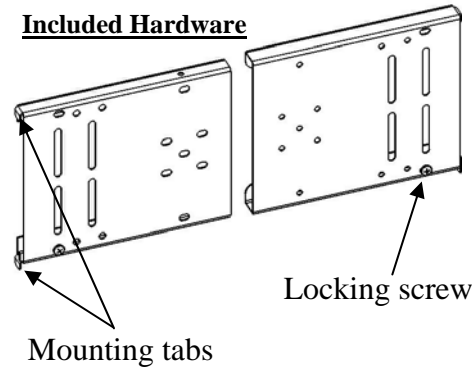
Qty 3 ea – Accessory Panel

Installation

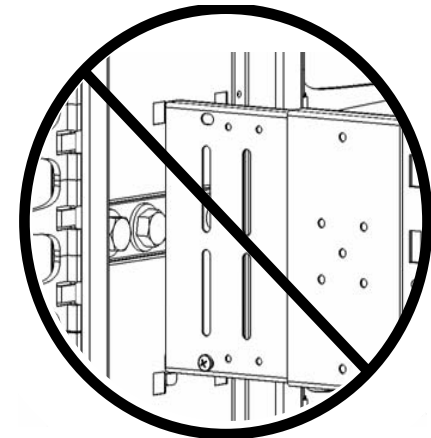
Note: Accessory panels accommodate Fiber Segregation and Cable Lashing Bar Kits. Refer to the Fiber Segregation Kit and Cable Lashing Bar Kit installation instruction sheets for recommended Mid-section spacing when using accessories.

1. Decide where you would like to install the Mid-section. *Note: Mid may not span rack mount bolts in center position (Figure 1).*
2. The Mid may be mounted anywhere in the manager that has a top and bottom pair of open mounting slots (Figure 2).
3. The Mid may be mounted in a front, middle, or rear mounting setback position to allow for a custom

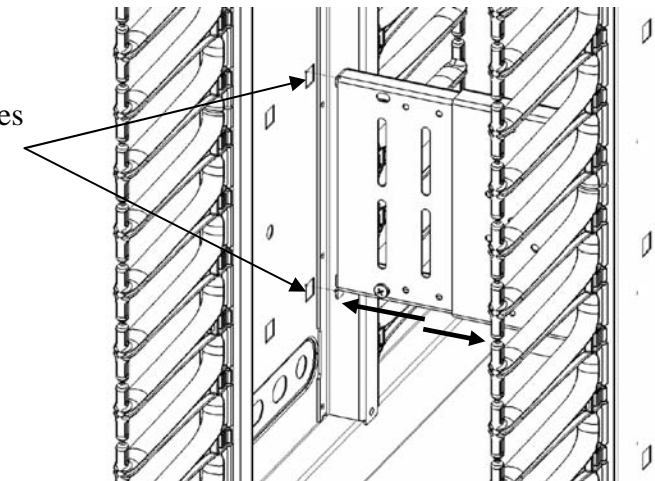
Included Hardware



Mid-section may not span rack mount bolts at center position.



Pair of mounting holes in the rear mounting position



CHATSWORTH PRODUCTS, INC.

IIS-735493, 02/29/08, Rev. 1 CPI/J Young

800-834-4969 • techsupport@chatsworth.com • www.chatsworth.com

This drawing contains proprietary and confidential information and is protected by U.S. and international law. Unauthorized reproduction, disclosure or use of the drawing or the information therein is expressly forbidden except as agreed to in writing by Chatsworth Products, Inc.

Installation Instructions

Movable Mid-Section

division of cable management space. It is recommended to install the Mid-sections in line with the same setback position of any Mids already mounted in the manager in order to prevent interference with accessories.

4. Using both hands, grasp each end of the Mid-section and telescope the sections together so that the panel is narrow enough to fit into the cable manager.
5. Telescope the sides of the panel outward until the mounting tabs pass through the desired mounting slots (Figure 3).
6. Keeping the Mid's sides fully extended, push the Mid-section downward until all four mounting tabs engage with the sides of the cable manager.
7. Using the #3 Phillips screw driver, slide the left locking screw to the outside edge of its slot and tighten (Figure 2).
8. Repeat for the right locking screw.
9. Apply moderate upward pressure on the mid to ensure it is properly locked in place.

Note: If the side panel catch is difficult to engage, try loosening the screw 5 turns back from finger tight to allow extra compliance.

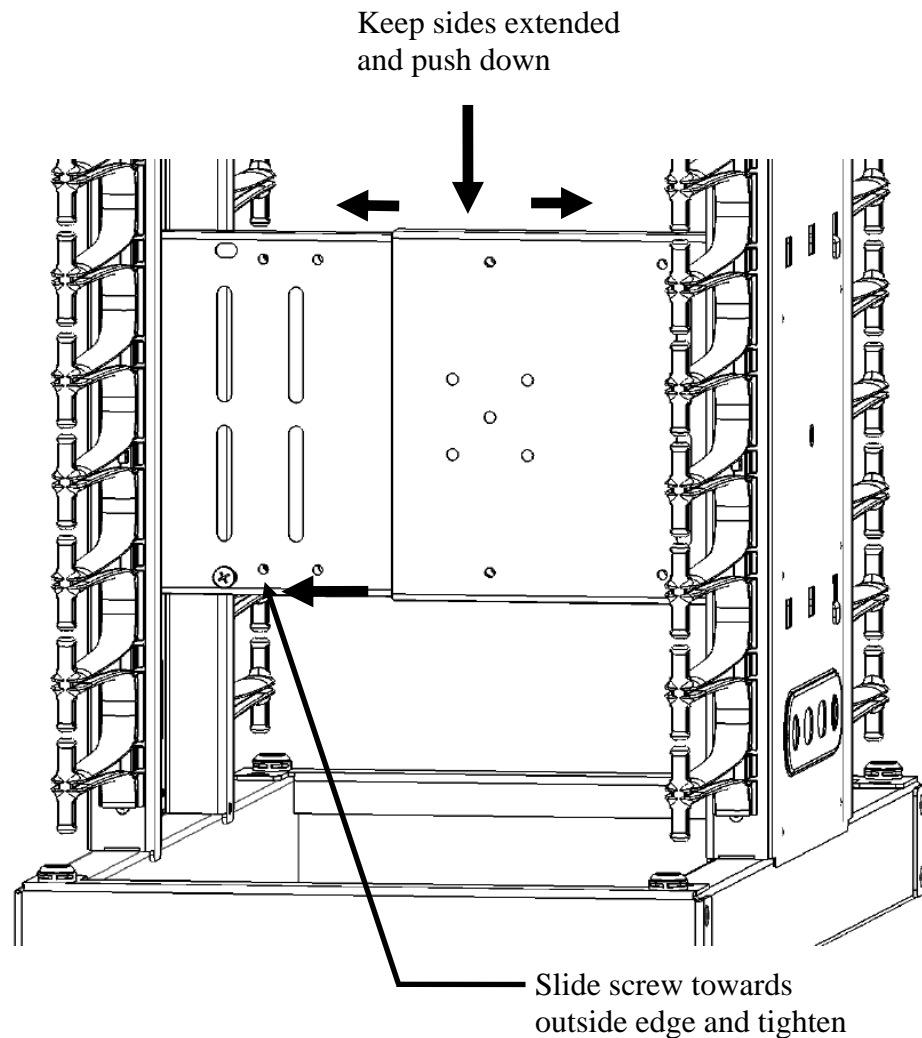


FIGURE 3