

NEW CATALOG ITEM

ORGANIZING. STORING. SECURING.



MEGAFRAME® 36" DEEP CABINET SYSTEM

FEATURES:

■ Designed to handle the space requirements of deeper servers, the 36" deep cabinet system can accommodate more file servers per row in a data center environment without compromising valuable real estate space.

■ Provides configurable cable management solution to fit on-site cable routing needs without compromising valuable RMU space.

■ Offered in standard 19" and 23" standard EIA widths.

■ Static Load Rating of 1000 lb without casters.

■ Addresses cable management for overhead and raised floor environments.

■ "Quick Release" reversible doors can be positioned to open left or right.

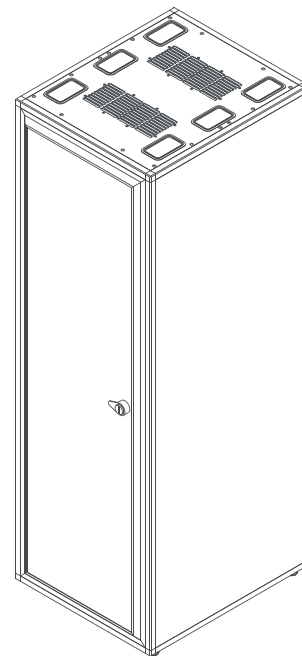
We have answered the needs of data centers and telecommunication environments by designing a cabinet system that provides extensive internal cable management as well as addresses the space requirements of deeper servers. At the same time, our 36" Deep MegaFrame cabinet also provides multi-file storage without compromising valuable rack-mount space. The cabinet is designed to fit on-site customization via the frame mounted vertical ring cable manager.

Extruded horizontal mounting rails provide support for either the Standard or Multi-Mount™ rail option and addresses the need to house varying depth Information Technology (IT) equipment. Adjustable front-to-rear vertical mounting rails allow use as either a standard four-post cabinet or two-channel rack.

Designed to provide an adaptive storage solution, the cabinet handles both overhead and raised floor cabling needs with an integrated top panel featuring six edge-protected punch-out ports and an open base.

Where extensive cable management is not an issue, but application and layout flexibility is, the 36" deep cabinet is also available in our 24" wide SlimFrame™ Cabinet System. The SlimFrame offers 486 standard product variations to fit any requirement as well as the same durability and adaptability incorporated in CPI's MegaFrame.

Please contact your authorized CPI Distributor or CPI Customer Service Representative for more information or go to www.chatsworth.com.



See reverse for dimensions.

An Employee Owned Corporation



CHATSWORTH PRODUCTS, INC.

Chatsworth, CA Operations
818-882-8595 • 818-718-0473 FAX
Georgetown, TX Operations
512-863-7800 • 512-869-1374 FAX
New Bern, NC Operations
252-514-2779 • 252-514-2977 FAX
New Castle, IN Operations
765-599-9000 • 765-593-0950 FAX
Email
techsupport@chatsworth.com
Website
www.chatsworth.com

Cabinet Part Numbers

	Width	Height	Depth	Style
M	1=19"	0=84"	5=36"	0
	2=23"	1=78"		1
		2=72"		3
		5=48"		4

Example Cabinet Part Number: M1150-102

Cabinet Style

0=standard rails-frame w/top, side panels
1=standard rails-frame w/top, no side panels
3=Multi-Mount™ rails-frame w/top, side panels
4=Multi-Mount™ rails-frame w/top, no side panels

Color	Doors	Shipping
1=gray	0	1=Partial Assembly
2=white	1	2=Assembled
7=black	2	3=Assembled w/Reusable Carton
	3	
	4	

Doors

0=no front, no rear
1=plexiglass front, metal rear
2=metal front, metal rear
3=vented plexiglass front, perforated metal rear
4=perforated metal front, perforated metal rear

Frame Only Part Numbers

	Width	Height	Depth	Style
M	1=19"	0=84"	5=36"	2
	2=23"	1=78"		5
		2=72"		
		5=48"		

Example Frame Part Number: M1152-202

Frame Style

2=standard rails
5=Multi-Mount™ rails

Color	Doors	Shipping
1=gray	0	1=Partial Assembly
2=white		2=Assembled
7=black		3=Assembled w/Reusable Carton

Doors

0=no doors

Notes: Cabinet Height 48" **does not** have a ship option of Assembled w/Reusable Carton
Multi-Mount rails are designed to meet a variety of equipment mounting requirements.

MegaFrame® 36" Deep Cabinet System

36" D MegaFrame Cabinet

Includes:

- 1 Four Post Frame
- 4 Vertical Mounting Rails
- 1 Set of Removable Side Panels
- 1 'Quick-Release' Front Door
- 1 'Quick-Release' Rear Door
- 1 Top Panel with Two Slotted Vent Openings and Six Cable Access Ports
- 4 Leveling Feet
- 1 Multi-Bay Attachment Hardware Kit
- 4 Floor Anchor Clamps
- 1 Bag of 50 each 12-24 Mounting Screws or Multi-Mount Kit with 12-24 and M-6 Screws and Cage Nuts
- 1 Vertical Ring Cable Manager

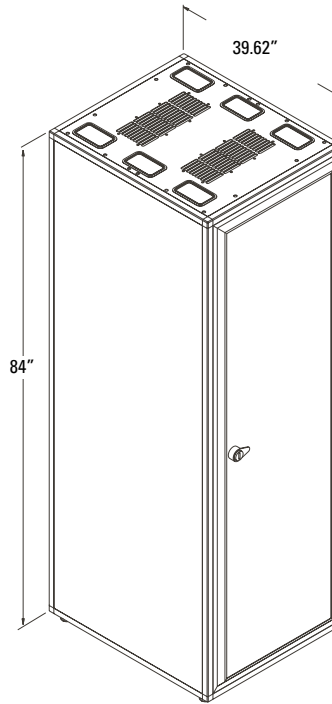
Cabinet Specifications:

Universal EIA Alternating Hole Pattern: 5/8"-5/8"-1/2"

Construction:

Manufactured from high-grade aluminum. Custom designed for maximum strength and functionality.

Static Load Rating (Without Casters): 1000 lb



36" D MegaFrame Frame

Includes:

- 1 Four Post Frame
- 4 Vertical Mounting Rails
- 4 Leveling Feet
- 1 Multi-Bay Attachment Hardware Kit
- 4 Floor Anchor Clamps
- 1 Bag of 50 each 12-24 Mounting Screws or Multi-Mount Kit with 12-24 and M-6 Screws and Cage Nuts
- 1 Vertical Ring Cable Manager

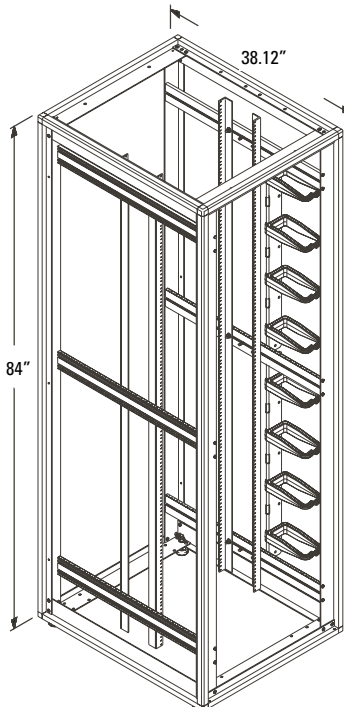
Frame Specifications:

Universal EIA Alternating Hole Pattern: 5/8"-5/8"-1/2"

Construction:

Manufactured from high-grade aluminum. Custom designed for maximum strength and functionality.

Static Load Rating (Without Casters): 1000 lb



Overall Cabinet Dimensions:

48" H Cabinet

Height (Without Casters or Feet)	48.02"
Height (With Leveling Feet)	48.92"
Height (With Casters)	51.42"
Usable Vertical Panel Space	43.75"

Usable Dimensions

RMU	25
Depth	36.00"
Width	19" or 23" EIA

Frame Opening

Front Frame Vertical Opening	43.90"
------------------------------	--------

Shipping Weight

Cabinet w/o Side Panels	177 lb
Cabinet	216 lb
Frame Only	151 lb

72" H Cabinet

Height (Without Casters or Feet)	72.02"
Height (With Leveling Feet)	72.92"
Height (With Casters)	75.42"
Usable Vertical Panel Space	66.50"

Usable Dimensions

RMU	38
Depth	36.00"
Width	19" or 23" EIA

Frame Opening

Front Frame Vertical Opening	67.90"
------------------------------	--------

Shipping Weight

Cabinet w/o Side Panels	191 lb
Cabinet	228 lb
Frame Only	153 lb

78" H Cabinet

Height (Without Casters or Feet)	78.02"
Height (With Leveling Feet)	78.92"
Height (With Casters)	81.42"
Usable Vertical Panel Space	73.50"

Usable Dimensions

RMU	42
Depth	36.00"
Width	19" or 23" EIA

Frame Opening

Front Frame Vertical Opening	73.90"
------------------------------	--------

Shipping Weight

Cabinet w/o Side Panels	197 lb
Cabinet	233 lb
Frame Only	151 lb

84" H Cabinet

Height (Without Casters or Feet)	84.02"
Height (With Leveling Feet)	84.92"
Height (With Casters)	87.42"
Usable Vertical Panel Space	78.75"

Usable Dimensions

RMU	45
Depth	36.00"
Width	19" or 23" EIA

Frame Opening

Front Frame Vertical Opening	79.90"
------------------------------	--------

Shipping Weight

Cabinet w/o Side Panels	201 lbs
Cabinet	239 lbs
Frame Only	154 lbs

Width Dimensions:

19" D Cabinet

Usable EIA Width	19.00"
Frame Horizontal Opening	20.20"
Overall Width	27.32"

23" D Cabinet

Usable EIA Width	23.00"
Frame Horizontal Opening	24.20"
Overall Width	31.32"

Depth Dimensions:

36" D Cabinet

Usable Depth (Rail to Rail)	36.00"
Outside Dimension (Frame Only)	38.12"
Depth (Door Face to Door Face)	39.62"
Depth (Inside Door to Inside Door)	39.22"

Note: Shipping Weights are for a 19" W cabinet with standard rails