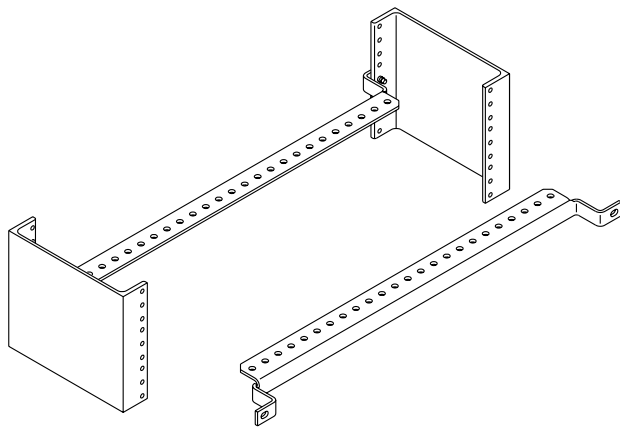


# Patch Panel Wire Management Bar for ThinLine II Wall-Mount Cabinet

The CPI Patch Panel Wire Management Bar provides the necessary wire management and strain relief required by ANSI/TIA/EIA-568-B. Sold individually. Attaches to rack with standard #12-24 rack screws (not included).

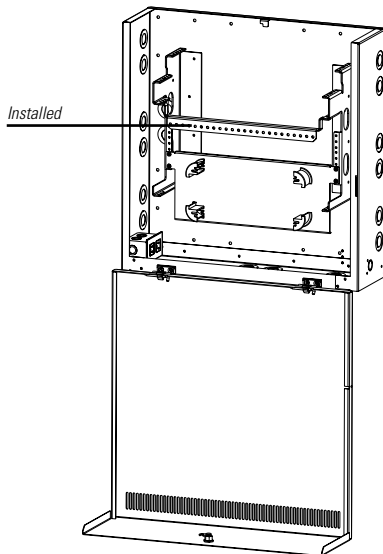
- 19" rack mountable
- May be mounted inward for 6" channel or outward to standard 3" rack side channel
- Wire tie holes maintain wire perpendicular relative to termination point
- Made of sturdy aluminum



## ORDERING INFORMATION

Part Number	Description	Shipping Weight lb (kg)
12176-X01	19" EIA Rack-Mountable Wire Management Bar	1 (0.5)

X=color: 1=Gray, 2=Computer Beige, 7=Black



For product CSI Specs, visit the Support & Downloads page on [www.chatsworth.com](http://www.chatsworth.com).

### US & Canada

+1-800-834-4969  
 Toronto, Ontario, Canada  
 +905-850-7770  
[chatsworth.com](http://chatsworth.com)  
[techsupport@chatsworth.com](mailto:techsupport@chatsworth.com)

### Latin America

+52-55-5203-7525  
 Toll Free within Mexico  
 01-800-01-7592  
[chatsworth.com.co](http://chatsworth.com.co)

### Europe

+44-1628-524-834  
[chatsworthproducts.co.uk](http://chatsworthproducts.co.uk)

### Middle East & Africa

Dubai, UAE  
 +971-4-2602125  
[chatsworth.ae](http://chatsworth.ae)

### Asia Pacific

+86 21 6880-0266  
[chatsworth.com.cn](http://chatsworth.com.cn)

