

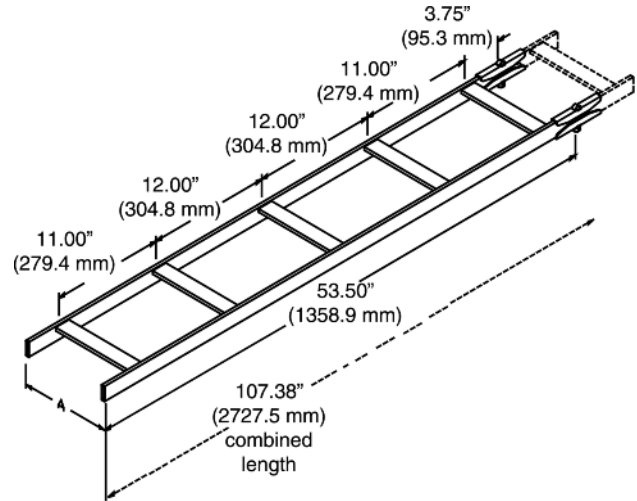
# Product Cut Sheet

## QUICK SHIP CABLE RUNWAY KIT

The 4' 6" (1359 mm) length of this cable runway is designed to meet UPS requirements without additional charges. Packaged one kit per box.

**Kit consists of:**

- (2) 4' 6" / 53.5" (1359 mm) cable runway; combined length is 8' 11 3/8" L / 107.38" (2727.5 mm)
- (1) Butt-Splice Kit (P/N 11301-001)



Part Number	Width (Dim. A) in (mm)
12170-X06	6 (150)
12170-X09	10 (250)
12170-X12	12 (300)

X=color: 1=Gray, 2=Computer Beige, 7=Black, E=Glacier White.

800-834-4969 in U.S. & Canada • [www.chatsworth.com](http://www.chatsworth.com)



©2013 Chatsworth Products, Inc. All rights reserved. CPI, CPI Passive Cooling, GlobalFrame, MegaFrame, Saf-T-Grip, Seismic Frame, SlimFrame, TeraFrame, Cube-IT Plus, Evolution, OnTrac, Velocity and QuadraRack are federally registered trademarks of Chatsworth Products. eConnect and Simply Efficient are trademarks of Chatsworth Products. All other trademarks belong to their respective companies. 6/13