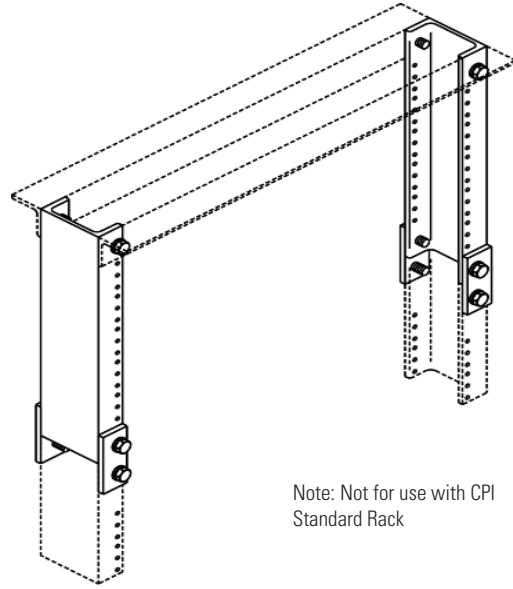


Product Cut Sheet

RACK EXTENSION KIT

Provides additional height to existing racks. Kit includes one pair of rack channels, four plates and assembly hardware.

- Universal 5/8" - 5/8" - 1/2" (15.9 mm - 15.9 mm - 12.7 mm) hole pattern



Note: Not for use with CPI Standard Rack

Part Number	Description	Shipping Weight lb (kg)
10565-X12	12"H (300 mm), 4U	4 (1.8)
10565-X24	24"H (610 mm), 11U	6 (2.7)

X=color: 1=Gray, 2=Computer Beige, 5=Clear, 7=Black, E=Glacier White.

800-834-4969 in U.S. & Canada • www.chatsworth.com



CHATSWORTH PRODUCTS

©2013 Chatsworth Products, Inc. All rights reserved. CPI, CPI Passive Cooling, GlobalFrame, MegaFrame, Saf-T-Grip, Seismic Frame, SlimFrame, TeraFrame, Cube-IT Plus, Evolution, OnTrac, Velocity and QuadraRack are federally registered trademarks of Chatsworth Products. eConnect and Simply Efficient are trademarks of Chatsworth Products. All other trademarks belong to their respective companies. 6/13