

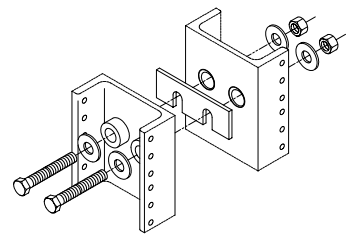
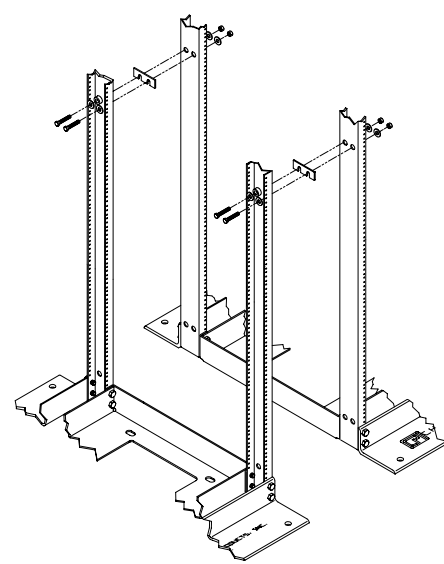



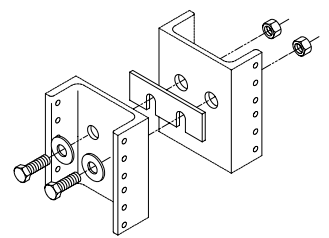
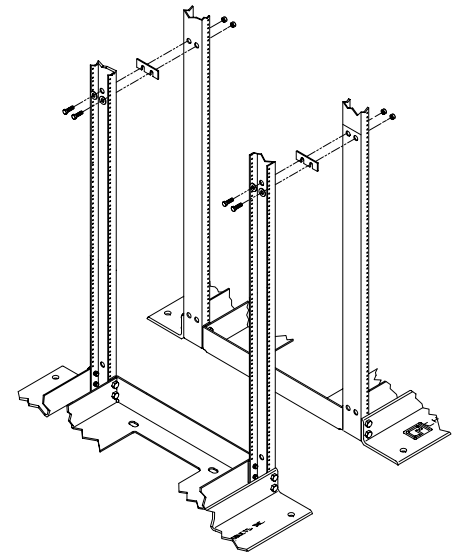
 (B) 5/16-18 X 2, HEX HEAD, BOLT, (025-020290-216)	 (16) 5/16, FLATE, WSHR (025-020283-012)	 (B) 5/16-18, HEX NUT, (025-020017-081)
--	--	--



TYPICAL (4) PLACES

**CPI** CHATSWORTH PRODUCTS, INC.  
 UNIV RACK LINE-UP SPACER  
 KIT, QuadraRack/ExpandaRack  
 INSTRUCTIONS  
THIS DRAWING CONTAINS INFORMATION PROPRIETARY TO CHATSWORTH PRODUCTS, INC. ANY REPRODUCTION, DISCLOSURE OR USE OF THIS DRAWING IS EXPRESSLY FORBIDDEN EXCEPT AS AGREED TO IN WRITING BY CHATSWORTH PRODUCTS, INC.

 (B) 1/2-20, HEX HEAD BOLT, (025-901006-001)	 (B) 1/2-20, FLATE, TYPE A, WSHR (025-904006-005)	 (B) 1/2-20, HEX NUT, (025-903001-003)
--	---	---



TYPICAL (4) PLACES

**CPI** CHATSWORTH PRODUCTS, INC.  
 STD RACK LINE-UP SPACER  
 KIT, QuadraRack/ExpandaRack  
 INSTRUCTIONS  
THIS DRAWING CONTAINS INFORMATION PROPRIETARY TO CHATSWORTH PRODUCTS, INC. ANY REPRODUCTION, DISCLOSURE OR USE OF THIS DRAWING IS EXPRESSLY FORBIDDEN EXCEPT AS AGREED TO IN WRITING BY CHATSWORTH PRODUCTS, INC.