

Product Cut Sheet

RACK LINE-UP SPACER KIT

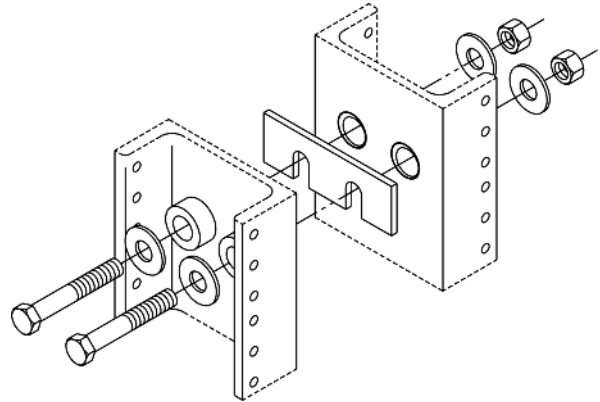
Bolts and spacer securely attach two racks mounted side-by-side.

Universal Rack Kit consists of:

- (2) spacer plates 1" x 3" x 1/8" (30 mm x 80 mm x 3.18 mm) thick aluminum
- (4) 5/16-18 x 2" hex cap screws
- (4) 5/16-18 hex nuts
- (8) 5/16 plain washers

Standard Rack Kit consists of:

- (2) spacer plates 1" x 3" x 1/8" (30 mm x 80 mm x 3.18 mm) thick aluminum
- (4) 1/2-20 x 1" hex cap screws
- (4) 1/2-20 hex nuts
- (4) 1/2 plain washers



Kits for Universal Racks	Kits for Standard Racks	Shipping Weight lb (kg)
40602-X00	40702-X00	1 (0.5)

*X=*color: 1=Gray, 2=Computer Beige, 5=Clear, 7=Black, E=Glacier White

800-834-4969 in U.S. & Canada • www.chatsworth.com



CHATSWORTH PRODUCTS

©2013 Chatsworth Products, Inc. All rights reserved. CPI, CPI Passive Cooling, GlobalFrame, MegaFrame, Saf-T-Grip, Seismic Frame, SlimFrame, TeraFrame, Cube-IT Plus, Evolution, OnTrac, Velocity and QuadraRack are federally registered trademarks of Chatsworth Products. eConnect and Simply Efficient are trademarks of Chatsworth Products. All other trademarks belong to their respective companies. 6/13