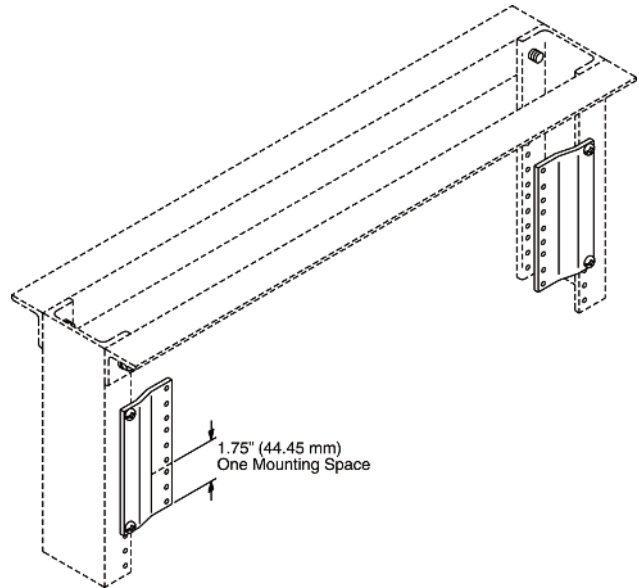


# Product Cut Sheet

## RACK PANEL ADAPTERS (PAIR)

Allows 19"W equipment to be mounted on a 23"W rack.

- Universal 5/8" - 5/8" - 1/2" (15.9 mm - 15.9 mm - 12.7 mm) vertical hole pattern
- Threaded #12-24 mounting holes
- Joggled so that installed panels fit flush
- Available in Gray, Computer Beige, Clear, Black, Glacier White finishes.



Part Number	Description Height in (mm)	Shipping Weight lb (kg)
31410-X00	Adapter, Pair, 1U, 1.71 (43.4)	1 (0.5)
31420-X00	Adapter, Pair, 2U, 3.46 (87.9)	1 (0.5)
31430-X00	Adapter, Pair, 3U, 5.21 (132.3)	1 (0.5)
31440-X00	Adapter, Pair, 4U, 6.96 (176.8)	1 (0.5)
31450-X00	Adapter, Pair, 5U, 8.71 (221.2)	1 (0.5)

X=color: 1=Gray, 2=Computer Beige, 5=Clear, 7=Black, E=Glacier White

800-834-4969 in U.S. & Canada • [www.chatsworth.com](http://www.chatsworth.com)



CHATSWORTH PRODUCTS

©2013 Chatsworth Products, Inc. All rights reserved. CPI, CPI Passive Cooling, GlobalFrame, MegaFrame, Saf-T-Grip, Seismic Frame, SlimFrame, TeraFrame, Cube-IT Plus, Evolution, OnTrac, Velocity and QuadraRack are federally registered trademarks of Chatsworth Products. eConnect and Simply Efficient are trademarks of Chatsworth Products. All other trademarks belong to their respective companies. Rev2 08/13