

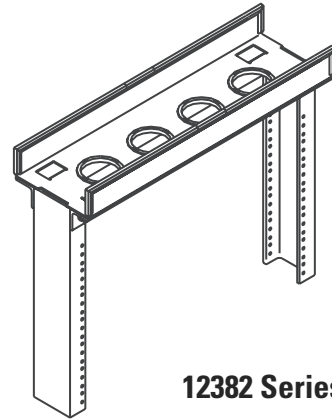
Product Cut Sheet

RACK TOP-MOUNT CABLE TROUGH

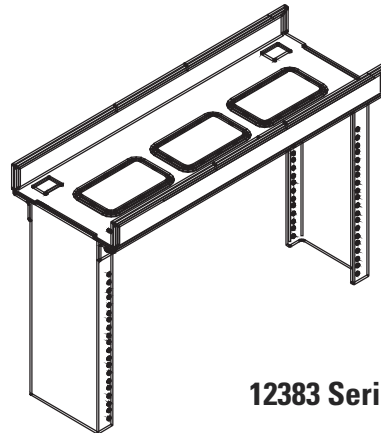
The Rack Top-Mount Cable Trough mounts on top of CPI racks to create a quick, cost-effective solution to routing cable without using conventional cable runway.

The trough drops into the gap between the top angle bars on the rack. No additional mounting hardware is required. Fits 3" and 6" deep rack channels in 19", 23" and 25" rack widths.

Part Number	Description	Shipping Weight lb (kg)
For Use on 19" Rack with 3" (80 mm) Rack Channel		
12382-X19	2.75"H x 6"W x 20.25"L (69.9 mm x 150 mm x 514.4 mm)	2 (0.9)
For Use on 23" Rack with 3" (80 mm) Rack Channel		
12382-X23	2.75"H x 6"W x 24.25"L (69.9 mm x 150 mm x 616.0 mm)	2 (0.9)
For Use on 19" Rack with 6" (150 mm) Rack Channel		
12383-X19	2.75"H x 9"W x 20.25"L (69.9 mm x 230 mm x 514.4 mm)	2 (0.9)
For Use on 23" Rack with 6" (150 mm) Rack Channel		
12383-X23	2.75"H x 9"W x 24.25"L (69.9 mm x 230 mm x 616.0 mm)	2 (0.9)



12382 Series



12383 Series

800-834-4969 in U.S. & Canada • www.chatsworth.com



CHATSWORTH PRODUCTS

©2015 Chatsworth Products, Inc. All rights reserved. CPI, CPI Passive Cooling, GlobalFrame, MegaFrame, Saf-T-Grip, Seismic Frame, SlimFrame, TeraFrame, CUBE-IT Plus, Evolution, OnTrac, Velocity and QuadraRack are federally registered trademarks of Chatsworth Products. eConnect and Simply Efficient are trademarks of Chatsworth Products. All other trademarks belong to their respective companies. 07/15