

# NEW CATALOG ITEM



## BENEFITS:

- Secures cable runway without intruding into valuable mounting space
- Accommodates the most popular widths of cable runway

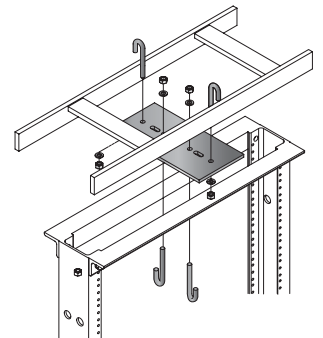
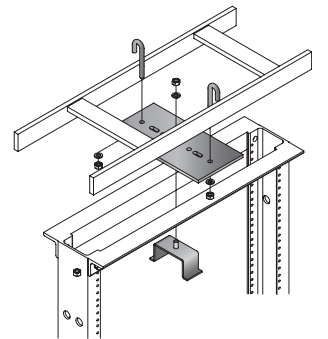
## RACK-TO-RUNWAY MOUNTING PLATE

### Hat Bracket Saves Rack Space

Chatsworth Products, Inc. (CPI) introduces an improved Rack-to-Runway Mounting Plate for 3" and 6" rack channels. The new design allows cable runway to be mounted perpendicular or parallel to any CPI open rack without intruding into valuable equipment-mounting space.

The combination of the flat plate and hat-shaped bracket form a clamp around the rack's top angles or top bars. Previous versions of the Rack-to-Runway Mounting Plate (also available) utilize two J-Bolts, which hook under the plate and consume the first rack-mounting space. In either case, two J-Bolts are required to secure the cable runway to the plate.

The new Rack-to-Runway Mounting Plate includes installation hardware and is available in various sizes to accommodate the most popular widths of cable runway. For more information, contact your authorized CPI distributor or CPI Technical Support at (800) 834-4969.



**Note: 13730-X24 and 13731-X24 mounting plates add 1.25" to height of rack.**

An Employee Owned Corporation



**CHATSWORTH PRODUCTS, INC.**

Organizing. Storing. Securing.

**800-834-4969**

techsupport@chatsworth.com  
www.chatsworth.com

Rack-to-Runway Mounting Plate Using Hat-Shaped Bracket				
Part Number	Channel Width	Runway Width	Plate Material	Shipping Weight
12730-X04	3"	4"	Steel	4 lb
12730-X08	3"	5" to 8"	Steel	5 lb
12730-X12	3"	9" to 12"	Steel	5 lb
12730-X18	3"	15" to 18"	Steel	7 lb
13730-X24	3"	20" to 24"	Aluminum	4 lb
12731-X09	6"	5" to 9"	Aluminum	5 lb
12731-X12	6"	10" to 12"	Aluminum	5 lb
12731-X18	6"	15" to 18"	Aluminum	7 lb
13731-X24	6"	20" to 24"	Aluminum	5 lb

Rack-to-Runway Mounting Plate Using J-Bolts				
Part Number	Channel Width	Runway Width	Plate Material	Shipping Weight
10595-X04	3"	4"	Steel	4 lb
10595-X08	3"	5" to 8"	Steel	5 lb
10595-X12	3"	9" to 12"	Steel	5 lb
10595-X18	3"	15" to 18"	Steel	7 lb
12408-X24	3"	20" to 24"	Aluminum	4 lb
12121-X09	6"	5" to 9"	Aluminum	5 lb
12121-X12	6"	10" to 12"	Aluminum	5 lb
12121-X18	6"	15" to 18"	Aluminum	7 lb
12409-X24	6"	20" to 24"	Aluminum	5 lb

Note (X) denotes finish color : (-1) for Gray, (-2) for White or (-7) for Black