

Installation Instructions

TERAFRAME ACCESSORY HARDWARE KIT

Application

The Accessory Hardware Kit is for TeraFrames with adjustable slides. Use this kit to mount accessories when there are no more "T bolts" available in the adjustable slides. **NOTE: This kit is not for TeraFrames with hole pattern slides.**

Included Hardware

| Qty | Description |
|-----|----------------|
| 16 | M8X12 Screw |
| 16 | M8 Drop-in Nut |
| 16 | M8 Flat Washer |

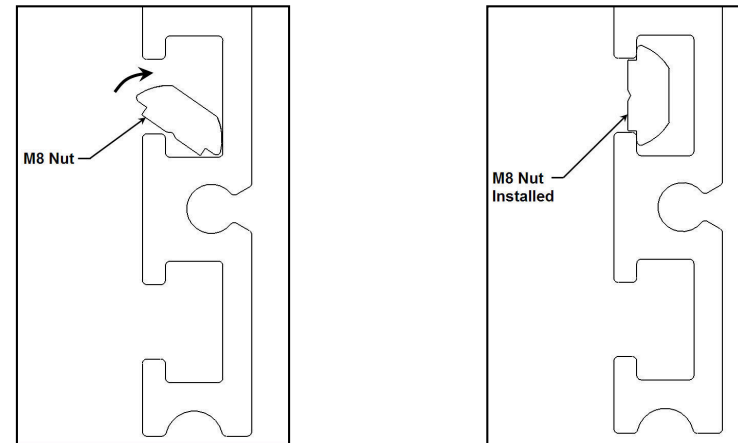
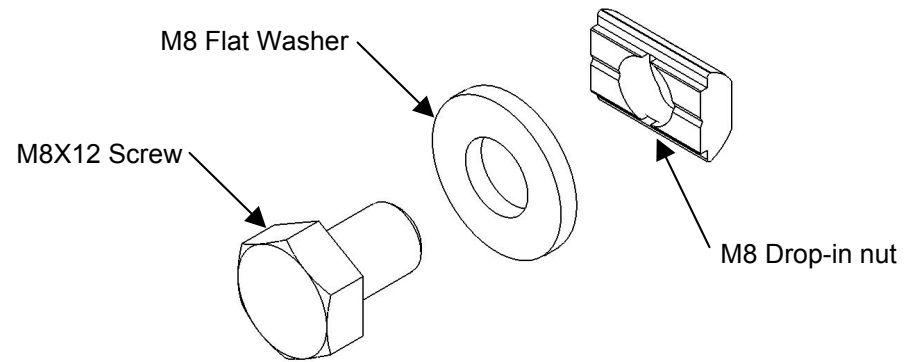
Tools Required

13mm socket wrench

Installation Notes

Insert M8 Drop-in nuts into appropriate slide channel, depending on accessory being attached, as shown on the right. Fasten the accessory to the drop-in nut using the M8X12 screws and flat washers. **Note: Refer to the accessory installation instructions for additional information.**

To remove drop-in nuts, use a straight blade screw driver to rotate out of slide channels.



M8 Drop-in Nut Installation



CHATSWORTH PRODUCTS, INC.

IIS-735058, 01/06/10, Rev. 2, CPI/J Garza

800-834-4969 (USA & Canada) • www.chatsworth.com • techsupport@chatsworth.com

For international phone numbers, see our website or contact CPI Tech Support.

This drawing contains proprietary and confidential information and is protected by U.S. and international law. Unauthorized reproduction, disclosure or use of the drawing or the information therein is expressly forbidden except as agreed to in writing by Chatsworth Products, Inc.