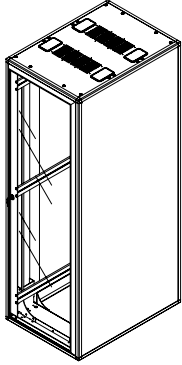


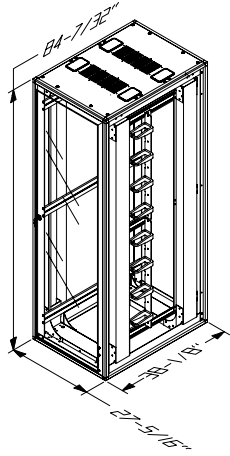
11972 SERIES

CABINET WITH
SIDE PANELS



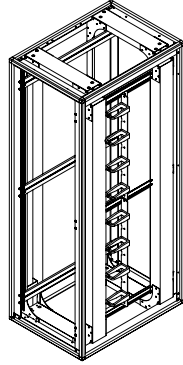
11973 SERIES

CABINET W/O
SIDE PANELS



11974 SERIES

FRAME ONLY



INSTALLATION INSTR
SEISMIC MEGAFRAME
CABINET

THIS DRAWING CONTAINS INFORMATION PROPRIETARY TO CHATSWORTH PRODUCTS, INC. ANY REPRODUCTION, DISCLOSURE OR USE OF THIS DRAWING IS EXPRESSLY FORBIDDEN EXCEPT AS AGREED TO IN WRITING BY CHATSWORTH PRODUCTS, INC.

DIMENSIONS SHOWN ABOVE ARE OVERALL, NOMINAL
CABINET DIMENSIONS NOT INCLUDING DOORS.

LIFTING CABINET

TO LIFT CABINET, REMOVE CABINET DOORS (IF PRESENT) AND USE NYLON SLING PLACED THROUGH CABINET DOOR OPENINGS (SEE FIG. 1 AT LEFT). CABINET WEIGHT SHOULD BEAR PRIMARILY ON TWO INNER STEEL FRAMES AND NOT ON EXTERNAL ALUMINUM FRAME.

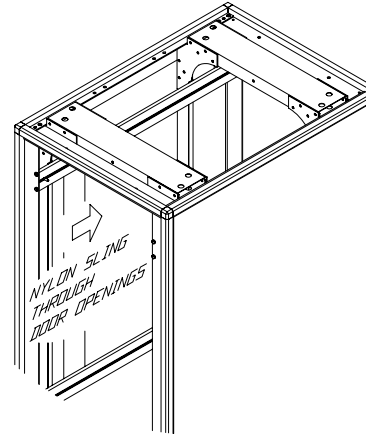


FIGURE 1

RECOMMENDED METHOD FOR
LIFTING CABINET

CONCRETE DRILL

HILTI DD-160 DIAMOND CORE DRILLING SYSTEM, OR EQUIVALENT, RECOMMENDED FOR DRILLING ANCHOR HOLES IN CONCRETE FLOOR.

CONCRETE ANCHOR

HILTI HSL M12X50 HEAVY DUTY SLEEVE ANCHOR (2" MAX GRIP THICKNESS), OR EQUIVALENT, RECOMMENDED FOR MOUNTING CABINET ON CONCRETE FLOOR.

LOCATING ANCHOR POINTS

RECOMMENDED METHOD FOR LOCATING ANCHOR POINTS ON FLOOR IS TO MARK ANCHOR POINTS ON FLOOR THROUGH FLOOR ANCHOR HOLES USING PENCIL OR FELT TIP PEN.

INSTALLING FLOOR ANCHORS

REFER TO FIG. 2 ON NEXT PAGE. INSTALL ONE FLOOR ANCHOR IN EACH CORNER OF CABINET FOR A TOTAL OF FOUR EACH FLOOR ANCHORS. IF POSSIBLE, USE PREFERRED FLOOR ANCHOR HOLES DESIGNATED AS "P" HOLES. INSTALL FLOOR ANCHORS IN ACCORDANCE WITH MANUFACTURER'S RECOMMENDATIONS.



INSTALLATION INSTR
SEISMIC MEGAFRAME
CABINET

THIS DRAWING CONTAINS INFORMATION PROPRIETARY TO CHATSWORTH PRODUCTS, INC. ANY REPRODUCTION, DISCLOSURE OR USE OF THIS DRAWING IS EXPRESSLY FORBIDDEN EXCEPT AS AGREED TO IN WRITING BY CHATSWORTH PRODUCTS, INC.

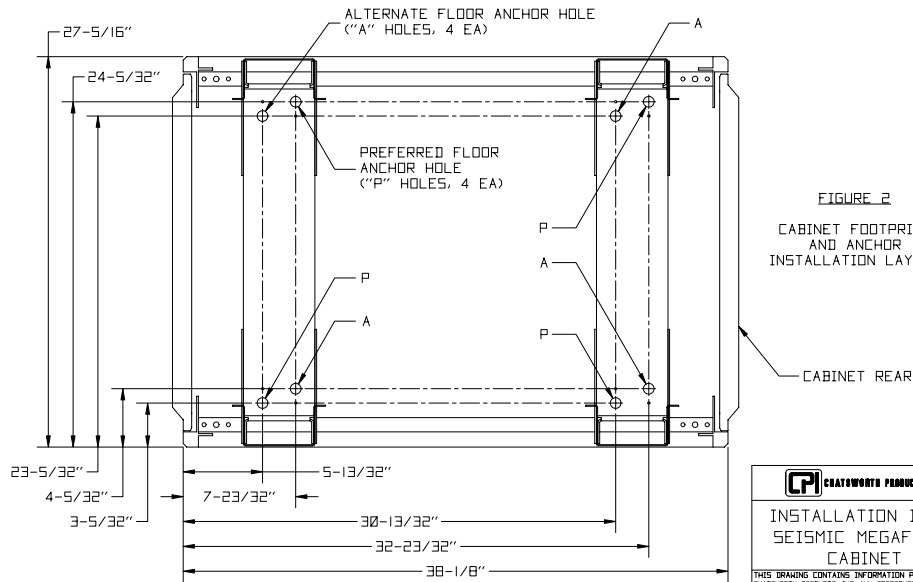


FIGURE 2

CABINET FOOTPRINT
AND ANCHOR
INSTALLATION LAYOUT

CABINET REAR



INSTALLATION INSTR
SEISMIC MEGAFRAME
CABINET

THIS DRAWING CONTAINS INFORMATION PROPRIETARY TO CHATSWORTH PRODUCTS, INC. ANY REPRODUCTION, DISCLOSURE OR USE OF THIS DRAWING IS EXPRESSLY FORBIDDEN EXCEPT AS AGREED TO IN WRITING BY CHATSWORTH PRODUCTS, INC.