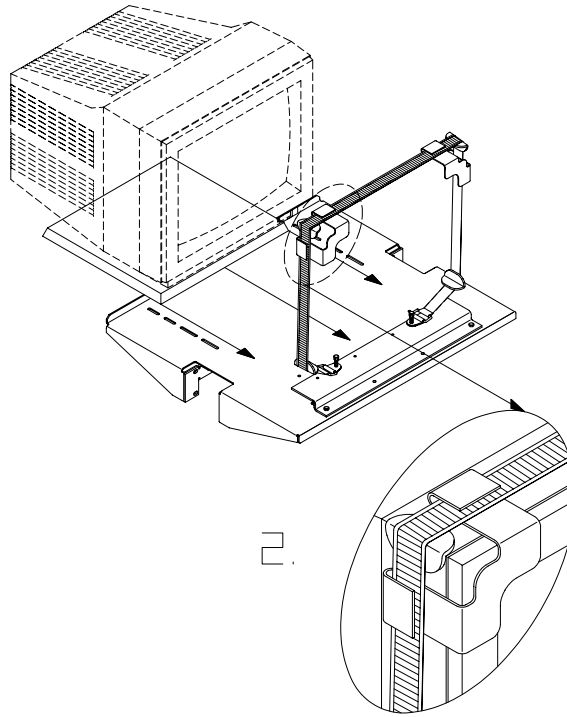
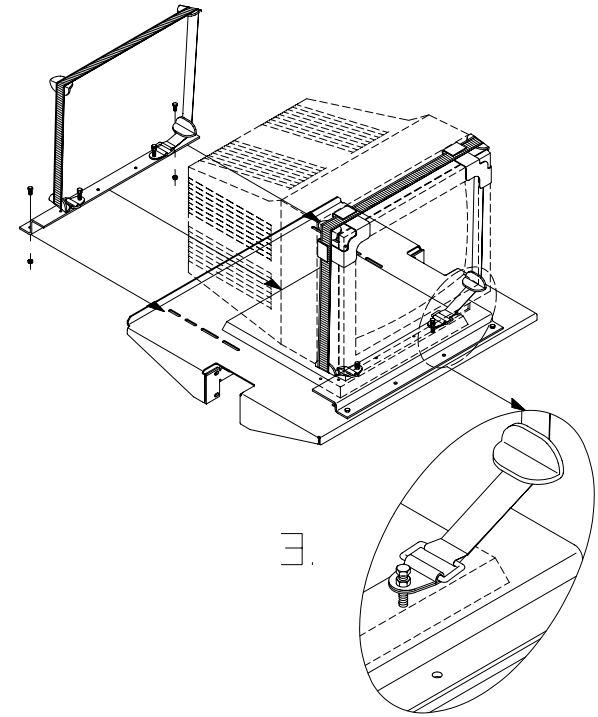


1. ATTACH FRONT "Z" SUPPORT (2 PL.) THROUGH SLOTS (NUTS UNDER SHELF).



2. SLIDE MONITOR BASE UNDER "Z"-SUPPORT FLANGE (AS SHOWN).  
PLACE CORNER CLIPS, CUSHION PADS AND "SAF-T-GRIP" STRAPS AROUND MONITOR (AS SHOWN).



3. FINGER-TIGHTEN HEX SCREWS AGAINST TOP OF MONITOR BASE, AND SCREW JAM-NUTS FIRMLY AGAINST "SAF-T-GRIP" TABS.

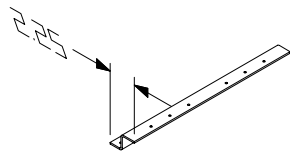


10-32 X 1/2  
HEX-HEAD SCREW

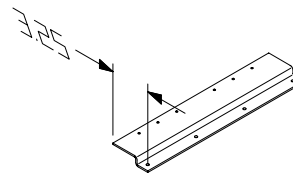


10-32  
HEX NUT

4 EA., TO ATTACH "Z"  
SUPPORTS TO SHELF



REAR "Z" BRACKET

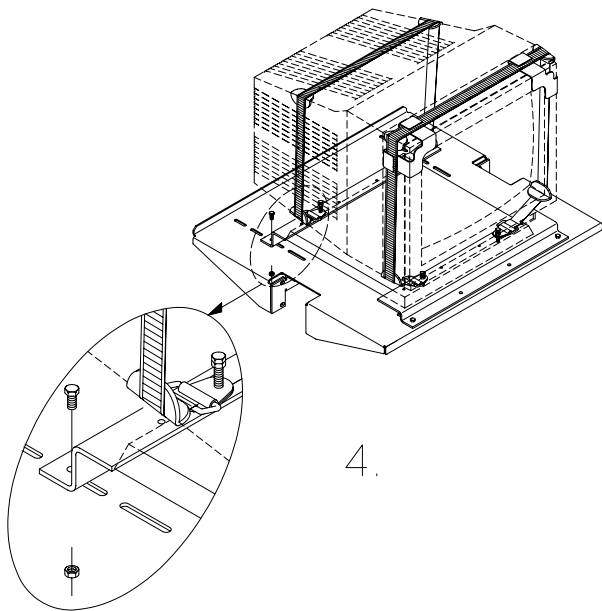


FRONT "Z" BRACKET



EARTHQUAKE  
MONITOR TIE-DOWN  
ASSEMBLY. INSTR.

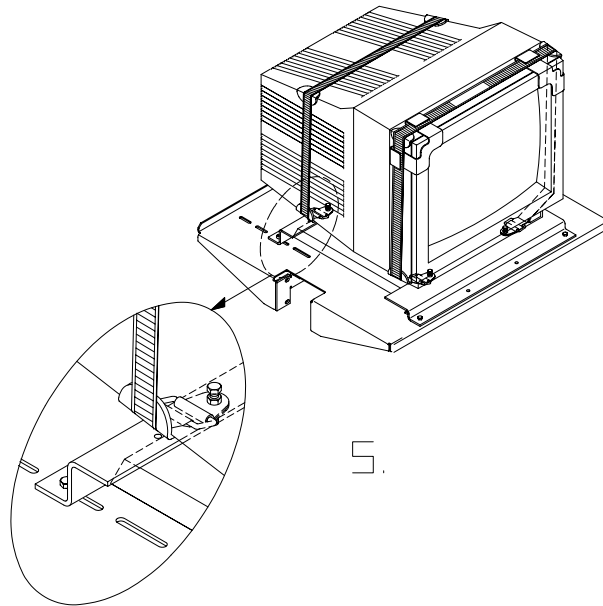
THIS DRAWING CONTAINS INFORMATION PROPRIETARY TO CHATSWORTH PRODUCTS, INC. ANY REPRODUCTION DISCLOSURE OR USE OF THIS DRAWING IS EXPRESSLY FORBIDDEN EXCEPT AS AGREED TO IN WRITING BY CHATSWORTH PRODUCTS, INC.



4.

ATTACH REAR "Z" SUPPORT  
(2 PL.) THROUGH SLOTS  
(NUTS UNDER SHELF).

POSITION STRAP AND CUSHION  
PADS AROUND MONITOR.



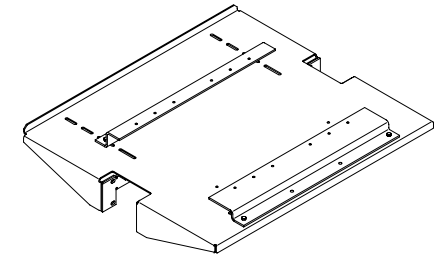
5.

FINGER TIGHTEN HEX SCREWS  
AGAINST TOP OF MONITOR BASE  
AND SCREW JAM NUTS FIRMLY  
AGAINST "SAF-T-GRIP" TABS.

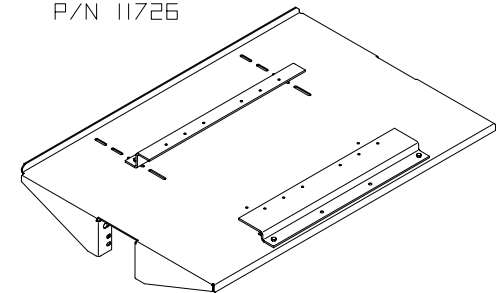
TIGHTEN BOTH STRAPS SECURELY.

2

MONITOR TIE-DOWN  
P/N 11725



ADJUSTABLE MONITOR SHELF  
P/N 11726



FILE SERVER MONITOR SHELF  
P/N 11334

**CPI** CHATSWORTH PRODUCTS, INC.

EARTHQUAKE  
MONITOR TIE-DOWN  
ASSEMBLY. INSTR.

THIS DRAWING CONTAINS INFORMATION PROPRIETARY TO  
CHATSWORTH PRODUCTS, INC. ANY REPRODUCTION DISCLOSURE  
OR USE OF THIS DRAWING IS EXPRESSLY FORBIDDEN EXCEPT  
AS AGREED TO IN WRITING BY CHATSWORTH PRODUCTS, INC.