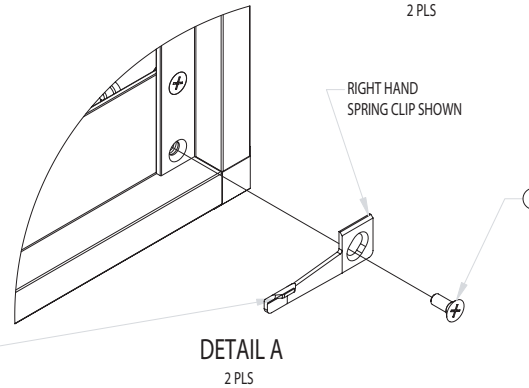
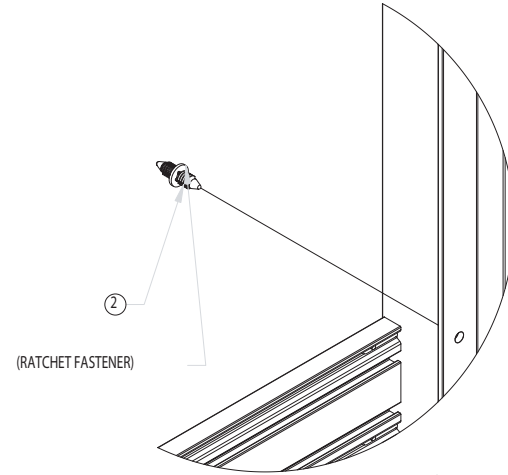
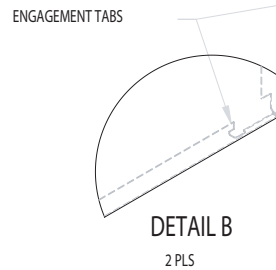
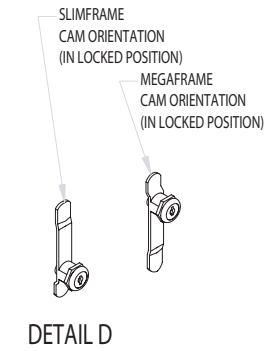
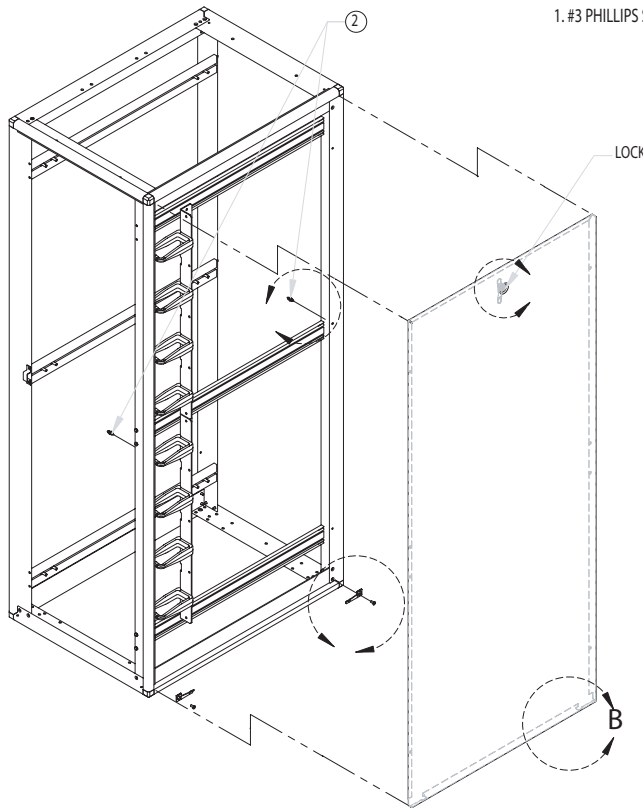


INSTALLATION OF QUICK RELEASE SIDE PANEL SERVICE PART:

- STEP 1. LOCATE AND REMOVE THE LOWER CORNER SCREW OF THE CABINET FRAME. ITEM SEE DETAIL A.
- STEP 2. ORIENT THE SPRING CLIP AS SHOWN IN DETAIL A AND FASTEN TO THE CORNER USING THE FASTENER REMOVED FROM STEP 1. ENSURE FASTENER IS WELL TIGHTENED.
- STEP 3. REPEAT STEPS 1 THROUGH 2 FOR OPPOSITE CORNER (LEFT HAND SPRING CLIP).
- STEP 4. INSTALL RATCHET FASTENERS, ITEM , INTO SIDE FRAME OF CABINET AS SHOWN IN DETAIL C. ONE ON EACH SIDE OF EXISTING MIDDLE HOLES OF THE FRAME.
- STEP 5. INSTALL THE PANEL BY TILTING APPROX. 10 DEGREES AWAY FROM CABINET AND GUIDING THE BOTTOM (PANEL) TABS OVER THE SPRING CLIP TABS. SEE DETAIL A & B. ROTATE PANEL TOWARD CABINET UNTIL FLUSH WITH THE OUTER FRAME AND LOCK INTO POSITION.

Tool Required:

1. #3 PHILLIPS SCREWDRIVER.



<p>INSTALLATION INSTRUCTIONS QUICK RELEASE SIDE PANELS</p>
<p>THIS DRAWING CONTAINS INFORMATION PROPRIETARY TO CHATSWORTH PRODUCTS, INC. ANY REPRODUCTION DISCLOSURE OR USE OF THIS DRAWING IS EXPRESSLY FORBIDDEN EXCEPT AS AGREED TO IN WRITING BY CHATSWORTH PRODUCTS, INC.</p>