

Product Cut Sheet

SINGLE-SIDED WIDE VERTICAL CABLING SECTION

Provides convenient cable run between equipment racks.
Conceals cable for a more attractive installation.

- Bolts to CPI Standard and Universal racks and the 6" Deep High Density Frame
- Includes formed cabling section, lockable cabling latches (12" in between latches), protective edge guards, and mounting hardware
- 6"W x 6.38"D; single-sided cable trough
- 9' version consists of 7' section with a 2' extension
- Sold individually

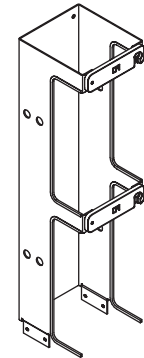
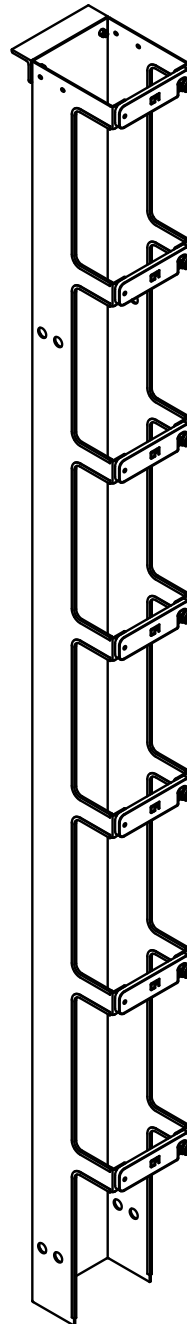
| 11374 | | Cabling Section, Single-Sided, Wide | |
|---------------|---|-------------------------------------|----|
| Color | | | |
| 1 | | Gray | |
| 2 | | Computer White | |
| 5 | | Clear | |
| 7 | | Black | |
| Height | | | |
| 00 | | Five foot Six inch | |
| 01 | | Six foot | |
| 02 | | Six foot Six inch | |
| 03 | | Seven foot | |
| 05 | | Seven foot Six inch | |
| 15 | | Eight foot | |
| 08 | | Nine foot | |
| 11374 | - | X | XX |

Single-Sided Wide Vertical Cabling Section Extensions

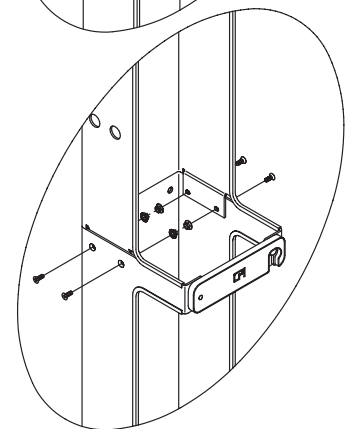
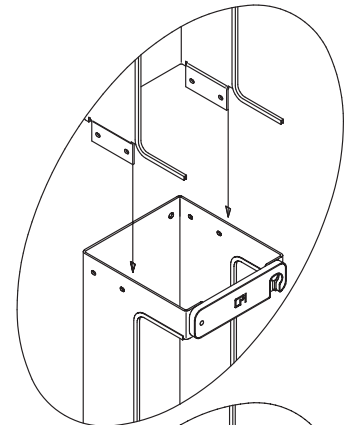
Adds one or two feet of height to vertical cabling sections, providing a uniform vertical pathway from ceiling to rack. Mounting hardware included.

| Part Number | Description | Shipping Weight |
|-------------|------------------------------------|-----------------|
| 11584-X01 | One-Foot Extension 6"W x 6.38"D | 3 lb |
| 11378-X01 | Two-Foot Extension 6"W x 6.38"D | 4 lb |

* Note: X=color: 1=Gray, 2=White, 5=Clear, 7=Black



Two-Foot Extension



Extension Installation

800-834-4969 in U.S. & Canada • www.chatsworth.com



CHATSWORTH PRODUCTS, INC.

©2010 Chatsworth Products, Inc. All rights reserved. CPI, CPI Passive Cooling, MegaFrame, Saf-T-Grip, Seismic Frame, SlimFrame, TeraFrame, Cube-IT Plus, Evolution, OnTrac, and QuadraRack are federally registered trademarks of Chatsworth Products, Inc. GlobalFrame, Simply Efficient and Velocity are trademarks of Chatsworth Products, Inc. All other trademarks belong to their respective companies. 12/10