

# Product Cut Sheet

## SINGLE-SIDED WIDE VERTICAL CABLING SECTION

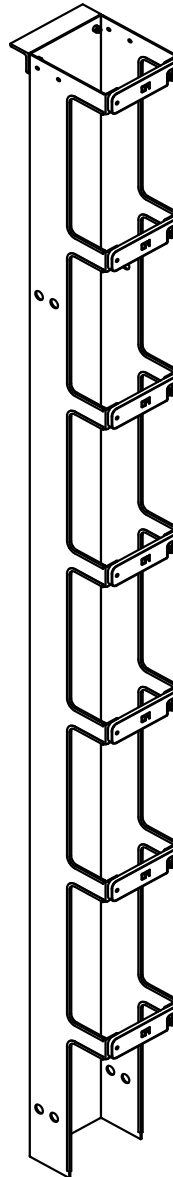
Provides convenient cable run between equipment racks.  
Conceals cable for a more attractive installation.

- Bolts to CPI Standard Rack, Universal Rack, QuadraRack® 4-Post Frame and QuadraRack Server Frame
- Includes formed cabling section, lockable cabling latches spaced 12" (300 mm) apart, protective edge guards and mounting hardware
- 6"W x 6.38"D (150 mm x 162.1 mm); single-sided cable trough
- 9' (2.7 m) version consists of 7' (2.1 m) section with a 2' (0.6 m) extension

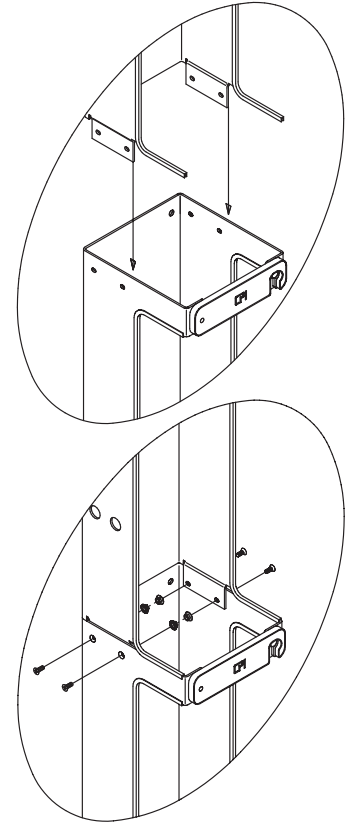
11374 Cabling Section, Single-Sided, Wide	
Color	
1	Gray
2	Computer Beige
5	Clear
7	Black
E	Glacier White
Height	
00	5' 6" (1.7 m)
01	6' (1.8 m)
02	6' 6" (2.0 m)
03	7' (2.1 m)
05	7' 6" (2.3 m)
15	8' (2.4 m)
08	9' (2.7 m)

11374	-	X	XX
-------	---	---	----



11374-503  
Single-Sided Wide



Extension Installation

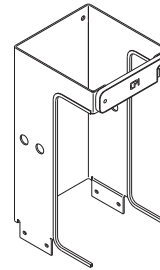
### Single-Sided Wide Vertical Cabling Section Extensions

Adds one or two feet of height to vertical cabling sections, providing a uniform vertical pathway from ceiling to rack.

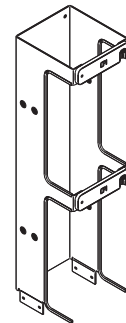
- Mounting hardware included.

Part Number	Description W x D in (mm)	Shipping Weight lb (kg)
11584-X01	One-Foot Extension 6 x 6.38 (150 x 162.1)	3 (1.4)
11378-X01	Two-Foot Extension 6 x 6.38 (150 x 162.1)	4 (1.8)

X=color: 1=Gray, 2=Computer Beige, 5=Clear, 7=Black, E=Glacier White.



11584-X01  
One-Foot Extension



11378-X01  
Two-Foot Extension

800-834-4969 in U.S. & Canada • [www.chatsworth.com](http://www.chatsworth.com)



CHATSWORTH PRODUCTS

©2013 Chatsworth Products, Inc. All rights reserved. CPI, CPI Passive Cooling, GlobalFrame, MegaFrame, Saf-T-Grip, Seismic Frame, SlimFrame, TeraFrame, Cube-IT Plus, Evolution, OnTrac, Velocity and QuadraRack are federally registered trademarks of Chatsworth Products. eConnect and Simply Efficient are trademarks of Chatsworth Products. All other trademarks belong to their respective companies. 07/13