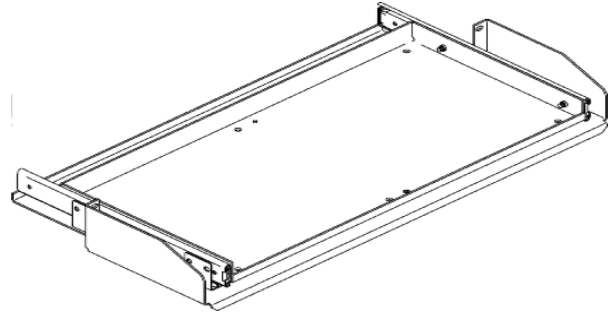


# Product Cut Sheet

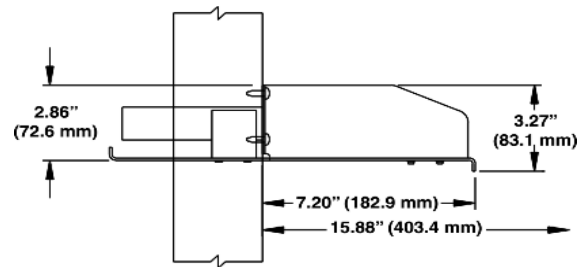
## 23" FULL SIZE SLIDING KEYBOARD TRAY & MOUSE

Convenient tray for holding keyboard and mouse. Mounting hardware not included. Keyboard tray extends 8" (200 mm) for full access to all keys. Tray and pad retract when not in use. Holds keyboards up to 20.1"W x 9.8"D (511 mm x 249 mm). 9" x 7" (230 mm x 180 mm) mouse pad mounts in a choice of four convenient locations. Made of strong, lightweight aluminum.



Part Number	Description	Shipping Weight lb (kg)
11690-X23	23" Full Size Sliding Keyboard & Mouse	12 (5.4)

X=color: 1=Gray, 2=Computer Beige, 5=Clear, 7=Black, E=Glacier White



800-834-4969 in U.S. & Canada • [www.chatsworth.com](http://www.chatsworth.com)



©2013 Chatsworth Products, Inc. All rights reserved. CPI, CPI Passive Cooling, GlobalFrame, MegaFrame, Saf-T-Grip, Seismic Frame, SlimFrame, TeraFrame, Cube-IT Plus, Evolution, OnTrac, Velocity and QuadraRack are federally registered trademarks of Chatsworth Products. eConnect and Simply Efficient are trademarks of Chatsworth Products. All other trademarks belong to their respective companies. 6/13