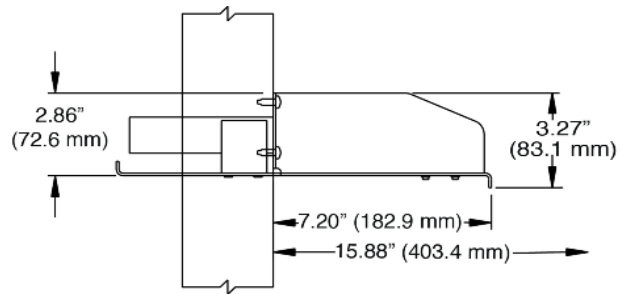
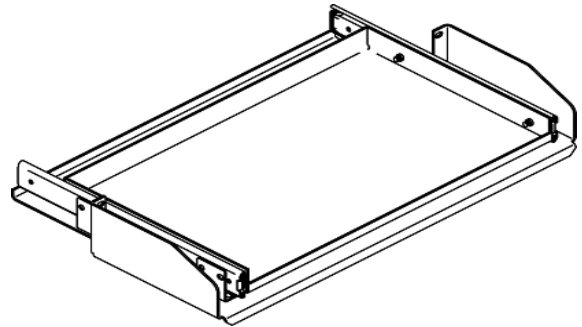


Product Cut Sheet

SLIDING SINGLE KEYBOARD TRAY

Provides retractable rack-mounting tray for keyboards up to 9.8"D (249 mm). Extends 8" (200 mm), providing full access to keyboard. Retracts out of the way when not in use. 19" version holds up to 16.1"W (409 mm) keyboards, 23" version holds up to 20.1"W (511 mm) keyboards. Mounting hardware not included. Made of strong, lightweight aluminum.



Part Number	Description	Shipping Weight lb (kg)
12062-X19*	Sliding Single Keyboard Tray, For 19" Rack	10 (4.5)
12062-X23	Sliding Single Keyboard Tray, For 23" Rack	10 (4.5)

X=color: 1=Gray, 2=Computer Beige, 5=Clear, 7=Black, E=Glacier White

*Must use small footprint keyboard. Also available, Sliding Double Keyboard Tray (P/N 11227-XXX). Visit www.chatsworth.com for details.

800-834-4969 in U.S. & Canada • www.chatsworth.com



CHATSWORTH PRODUCTS

©2013 Chatsworth Products, Inc. All rights reserved. CPI, CPI Passive Cooling, GlobalFrame, MegaFrame, Saf-T-Grip, Seismic Frame, SlimFrame, TeraFrame, Cube-IT Plus, Evolution, OnTrac, Velocity and QuadraRack are federally registered trademarks of Chatsworth Products. eConnect and Simply Efficient are trademarks of Chatsworth Products. All other trademarks belong to their respective companies. 6/13