

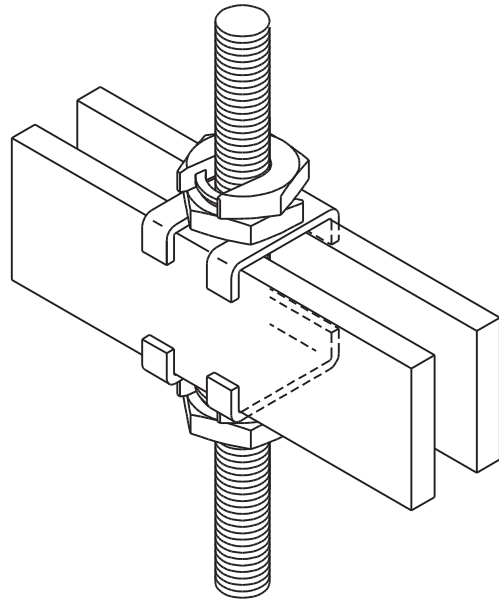
# Product Cut Sheet

## SLIP-ON® FRAMING CLIP

Allows easy installation of additional rack grids to existing grids by slipping clamps around 5/8" threaded rod.

- Material is steel finished with gold over zinc plating
- Kit consists of:
  - 2 each slotted clamps
  - 2 each 5/8" Slip-On® Lock Nuts

*Slip-On® is a registered trademark of Slip-On Lock Nut Co., Patent Pending.*



Part Number	Description	Shipping Weight
11019-001	For 3/8" Bar, 5/8" thd. rod	2 lb
11019-002	For 9/16" channel, 5/8" threaded rod	2 lb

800-834-4969 in U.S. & Canada • [www.chatsworth.com](http://www.chatsworth.com)



**CHATSWORTH PRODUCTS, INC.**

©2010 Chatsworth Products, Inc. All rights reserved. CPI, CPI Passive Cooling, MegaFrame, Saf-T-Grip, Seismic Frame, SlimFrame, TeraFrame, Cube-iT Plus, Evolution, OnTrac, and QuadraRack are federally registered trademarks of Chatsworth Products, Inc. GlobalFrame, Simply Efficient and Velocity are trademarks of Chatsworth Products, Inc. All other trademarks belong to their respective companies. 12/10