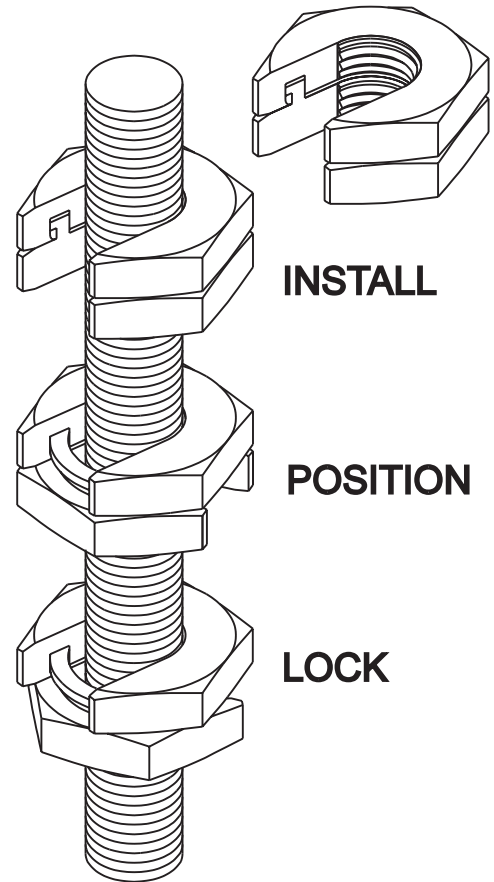


Product Information Sheet

SLIP-ON[®] LOCK NUT

Used to add a nut to threaded rod without having to thread from the end. Zinc plated.



Size	Recommended Load	Recommended Torque
3/8"	2,000 lb	19-25 ft. lb
5/8"	5,000 lb	100-120 ft. lb

Part Number	Description	Shipping Weight
03003-001	3/8"-16 Slip-On Lock Nut	1 lb
03003-002	5/8"-11 Slip-On Lock Nut	1 lb

800-834-4969 in US & Canada • www.chatsworth.com



CHATSWORTH PRODUCTS, INC.

©2002 Chatsworth Products, Inc. 11/02