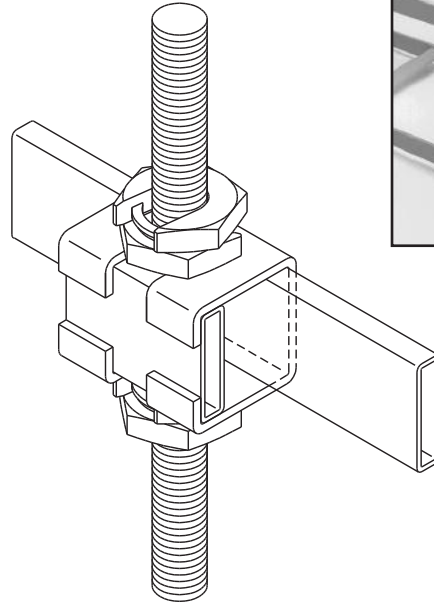


Product Cut Sheet

SLIP-ON® SUPPORT BRACKET

Provides easy additions of cable runway layers to existing cable racks by allowing support brackets and nuts to slip over drop rod.

- Kit consists of:
 - 2 each patented Slip-On nut
 - 1 each slotted bracket
 - 1 each retainer piece
- For use with 5/8" threaded rod only
- Finish is gold over zinc plating



Part Number	Description	Shipping Weight
10873-001	Slip-on Support Bracket	1 lb

800-834-4969 in U.S. & Canada • www.chatsworth.com



CHATSWORTH PRODUCTS, INC.

©2010 Chatsworth Products, Inc. All rights reserved. CPI, CPI Passive Cooling, MegaFrame, Saf-T-Grip, Seismic Frame, SlimFrame, TeraFrame, Cube-iT Plus, Evolution, OnTrac, and QuadraRack are federally registered trademarks of Chatsworth Products, Inc. GlobalFrame, Simply Efficient and Velocity are trademarks of Chatsworth Products, Inc. All other trademarks belong to their respective companies. 12/10