

# Installation Instructions

## SOLID AND VENTED SHELVES

### Safety Information



**WARNING:** Improper use of this product may lead to serious injury or death. Read and understand all instructions for proper installation and use of this product.

### Intended Use

Maximum load rating of the shelves is 200 lb.

### Tools Required

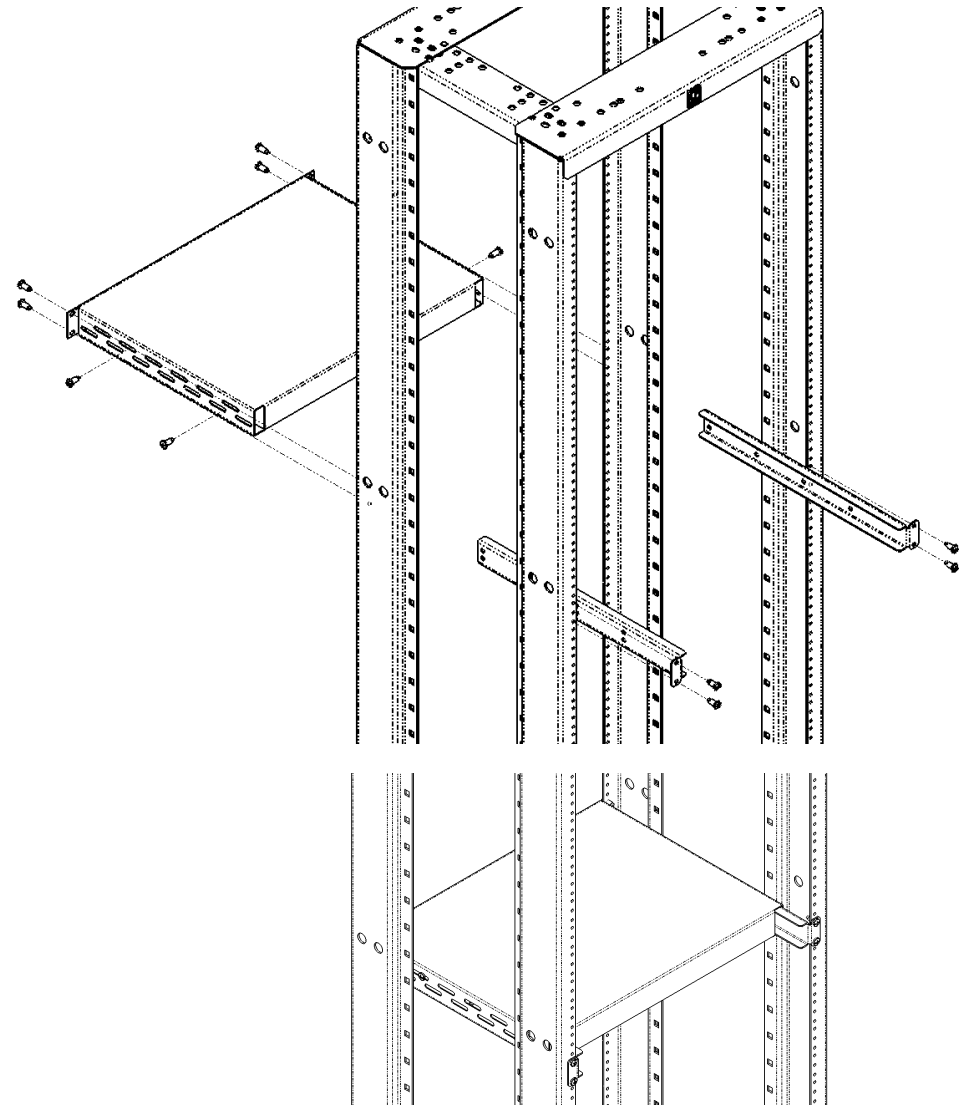
#2 Phillips screwdriver

### Included Hardware

12 each 12-24 x 5/8 Screws

### Assembly Sequence

1. Attach the two rear brackets at the desired RMU location on the rear rack rails with four screws. Leave the screws loose until after the shelf has been mounted.
2. Slide the shelf in from the rack front with the rear brackets going through the rectangular openings on the shelf rear flange. Attach the shelf to the front rack rails with four screws.
3. Install two 12-24 x 5/8 screws through each side of the shelf into the rear brackets. Install the screws with the widest possible spacing; the spacing will vary depending on the rack depth.
4. Tighten all screws.



CHATSWORTH PRODUCTS, INC.

IIS-715245, 01/06/10, Rev. 3, CPI/B Krietzman

800-834-4969 (USA & Canada) • [www.chatsworth.com](http://www.chatsworth.com) • [techsupport@chatsworth.com](mailto:techsupport@chatsworth.com)

For international phone numbers, see our website or contact CPI Tech Support.

*This drawing contains proprietary and confidential information and is protected by U.S. and international law. Unauthorized reproduction, disclosure or use of the drawing or the information therein is expressly forbidden except as agreed to in writing by Chatsworth Products, Inc.*