

Installation Instructions

SQUARE HOLE RAIL MOUNTING HARDWARE

Application

These instructions describe how to install the hardware shown in the table below. Each kit consists of a set of screws and cage nuts with matching threads. These kits are used to secure equipment to mounting rails or other mounting brackets that have square holes.

Square Hole Rail Mounting Hardware

PART NO.	THREAD	PACKAGE OF	FINISH	PHILLIPS DRIVE SIZE
12637-001	M6-1	25 Sets	Gold Zinc	#3 or #2
12638-001	10-32	25 Sets	Plain Zinc	#2 Only
12639-001	12-24	25 Sets	Black Zinc	#3 or #2

Tools Required

- #2 or #3 Phillips drive screwdriver (see table above for size of drive).
- Cage Nut Tool or Pliers to install cage nuts.

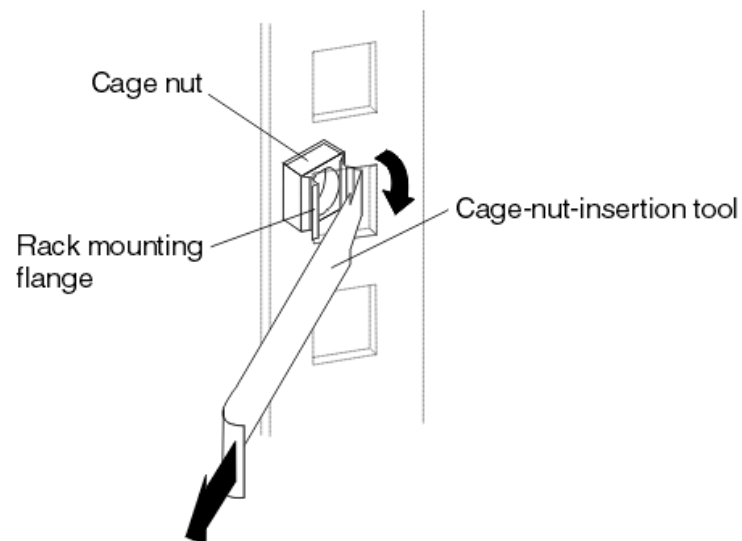
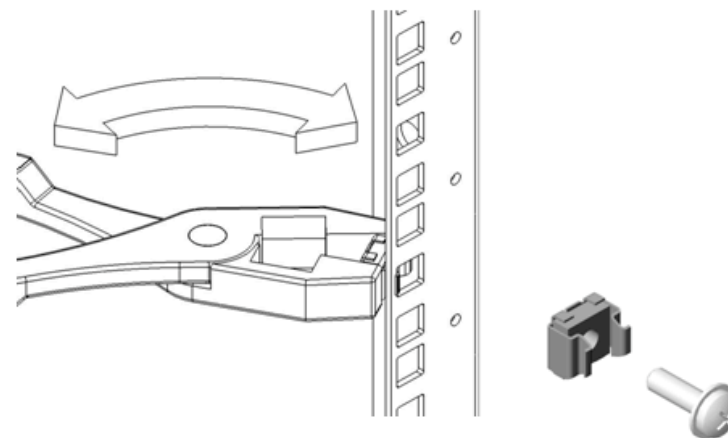
Installation and Removal of Cage Nuts

On equipment mounting rails, cage nuts are installed on the back side of the mounting flange as shown. Cage nuts snap in to square holes and are easily removable.

Using Pliers – grip cage nut with pliers, insert one side of cage nut into hole, squeeze clips together, rotate opposite side of clip into hole, and release clip.

Using Cage Nut Tool – From the inside of the rack-mounting flange, insert one edge of the cage nut into the hole. Push the tool through the hole and hook the other edge of the cage nut. Pull the tool and the cage nut back through the hole.

To remove cage nut, reverse the above procedure.



CHATSWORTH PRODUCTS, INC.

IIS-712637, 02/19/10, Rev. 3

800-834-4969 (USA & Canada) • www.chatsworth.com • techsupport@chatsworth.com

For international phone numbers, see our website or contact CPI Tech Support.

This drawing contains proprietary and confidential information and is protected by U.S. and international law. Unauthorized reproduction, disclosure or use of the drawing or the information therein is expressly forbidden except as agreed to in writing by Chatsworth Products, Inc.