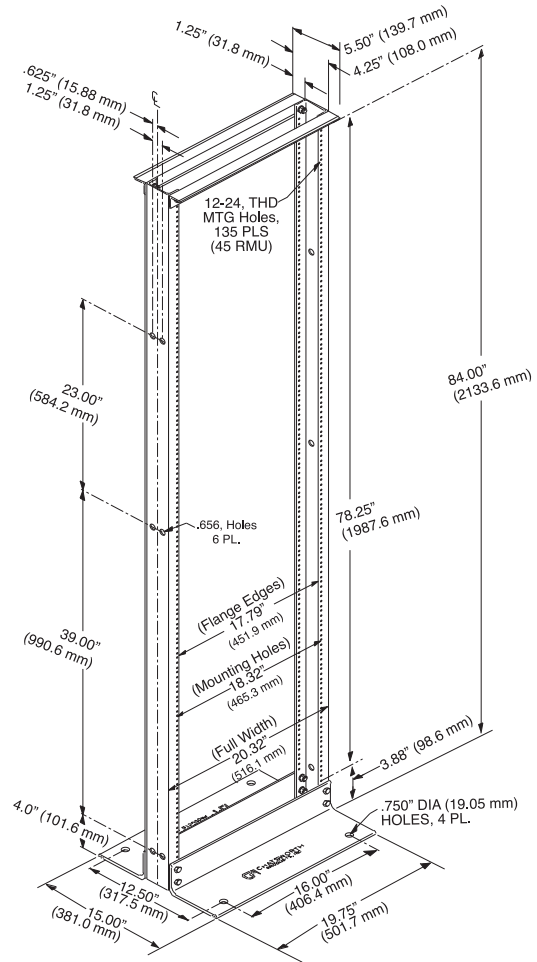


Product Cut Sheet

STANDARD RACK, 3"D

The Standard Rack is designed for value conscious, high volume customers, who require the quality and service that sets CPI racks apart from the competition. The Standard Rack is a UL Listed communication circuit accessory designed specifically for use in telecommunications equipment installations where codes require UL Listed equipment racks. For a greater breadth of features, we recommend CPI Universal Racks.

- High strength aluminum construction— steel top angles on painted racks
- Shipped with (2) top angles, (2) base angles, (2) 3"D (80 mm) equipment channels and installation hardware
- Top angles allow J-bolt attachment without interfering with top rack-mount unit spaces
- EIA-310-D Standard Universal 5/8"-5/8"-1/2" (15.9 mm-15.9 mm-12.7 mm) alternating hole pattern offers greater mounting flexibility and is fully compatible with conventional wide 1 1/4"-1/2" (31.8 mm-12.7 mm) alternating hole patterns
- Six web channel holes per side enable multiple racks to be mounted together side by side
- High strength roll-formed threaded mounting holes
- RMU marks simplify equipment installation
- Includes 50 pilot point #12-24 mounting screws with combination Phillips/Straight heads to reduce cross-threading and installation time
- White, black, gray or clear grained finish provides attractive appearance
- Ships unassembled, individually packaged, with assembly hardware and installation instructions. Bulk packaging is also available
- Redesigned shipping container saves space and freight costs
- Choose from three heights
- Weight capacity of 1000 lb (453.6 kg) — weight must be evenly distributed and rack must be properly secured to the floor



Part Number	Description H x W x D Height - ft (m), Depth - in (mm)	Shipping Weight lb (kg)
81000-500	45U, 7 (2.1) x 19" EIA x 3 (80), Clear	31 (14.1)
81000-700	45U, 7 (2.1) x 19" EIA x 3 (80), Black	31 (14.1)

800-834-4969 in U.S. & Canada • www.chatsworth.com



CHATSWORTH PRODUCTS, INC.

©2010 Chatsworth Products, Inc. All rights reserved. CPI, CPI Passive Cooling, Saf-T-Grip, Seismic Frame, SlimFrame, MegaFrame and TeraFrame are federally registered trademarks of Chatsworth Products, Inc. Cube-iT Plus, Evolution, OnTrac, QuadraRack and Simply Efficient are trademarks of Chatsworth Products, Inc. All other trademarks belong to their respective companies. 03/10