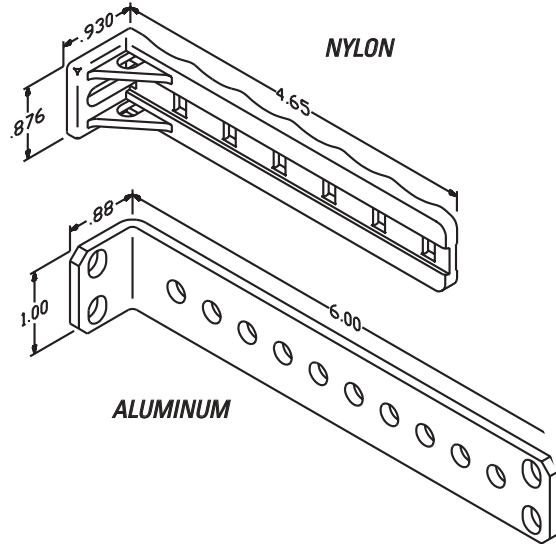


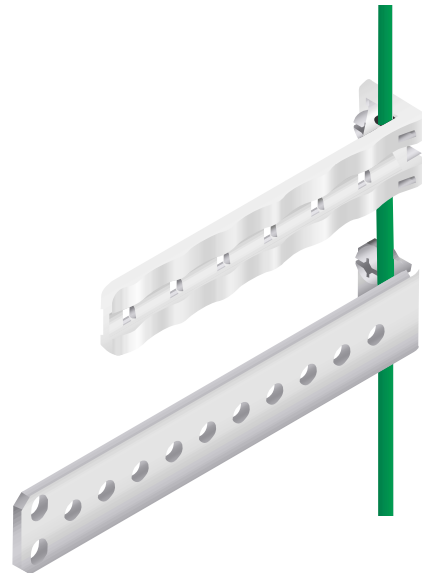
# Product Information Sheet

## STAND-OFF TIE-DOWN "L" BRACKETS

These "L" brackets mount to the back of the rack channel to provide a convenient tie-down point for grounding and bonding cable runs. Available in nonconductive nylon or high-strength aluminum construction. Either end of the aluminum bracket can be attached to the rack or cabinet face, allowing cable run in several different ways.



| Part Number | Description              | Unit | Shipping Weight |
|-------------|--------------------------|------|-----------------|
| 10001-001   | 1"W x 5"L White Nylon    | 1    | 1 lb            |
| 10001-050   | 1"W x 5"L White Nylon    | 50   | 3 lb            |
| 10559-500   | 1"W x 6"L Clear Aluminum | 1    | 1 lb            |
| 10559-550   | 1"W x 6"L Clear Aluminum | 50   | 5 lb            |



800-834-4969 in U.S. & Canada • [www.chatsworth.com](http://www.chatsworth.com)



CHATSWORTH PRODUCTS, INC.

©2003 Chatsworth Products, Inc. All rights reserved. CPI is a registered trademark of Chatsworth Products, Inc. All other trademarks belong to their respective companies. 06/03