

Installation Instructions

TAPPED RAIL MOUNTING SCREWS

Application

These instructions describe how to install the screws provided in 40605-Series hardware kits shown in the table below. The screws are used to secure equipment to mounting rails or other mounting brackets that have holes threaded to receive size 12-24 screws.

Tapped Rail Mounting Screws

PART NO.	PACKAGE OF [Each]	FINISH
40605-001	50	Plain Zinc
40605-002	60	Plain Zinc
40605-003	100	Plain Zinc
40605-004	1,000	Plain Zinc
40605-005	50	Black Zinc
40605-006	1,000	Black Zinc

Tools Required

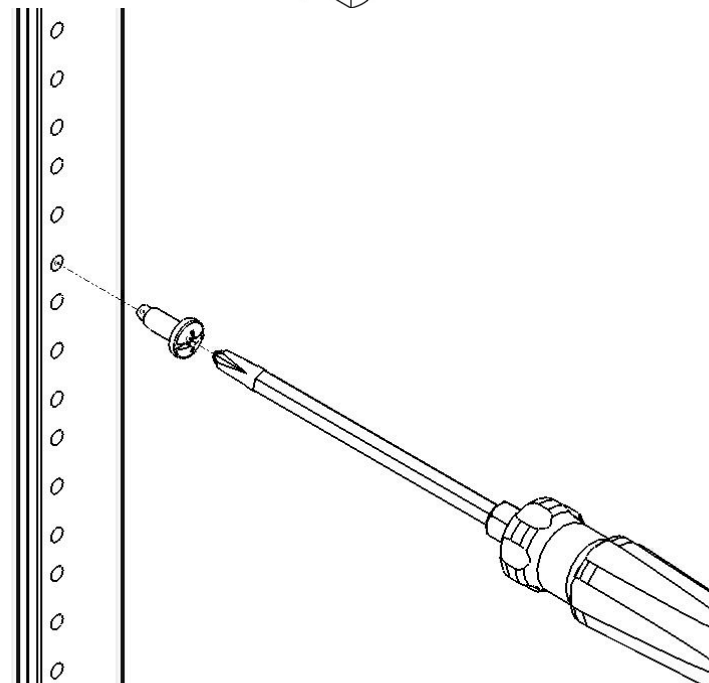
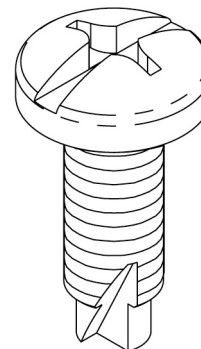
#3 Phillips drive screwdriver (#2 Phillips drive is an acceptable alternate)

Use Information

The size 12-24 screws provided have the following features:

- Combination drive head can be used with #3 Phillips drive screwdrivers and with straight blade screwdrivers.
- Pilot point reduces the risk of cross-threading.
- Cutting notch in thread reduces drive torque by cutting through any paint in threaded holes.

12-24 Screw: Combination Drive, Pilot Point, Paint Cutting



CHATSWORTH PRODUCTS, INC.

IIS-740605, 01/06/10, Rev. 2, B McMillan

800-834-4969 (USA & Canada) • www.chatsworth.com • techsupport@chatsworth.com

For international phone numbers, see our website or contact CPI Tech Support.

This drawing contains proprietary and confidential information and is protected by U.S. and international law. Unauthorized reproduction, disclosure or use of the drawing or the information therein is expressly forbidden except as agreed to in writing by Chatsworth Products, Inc..