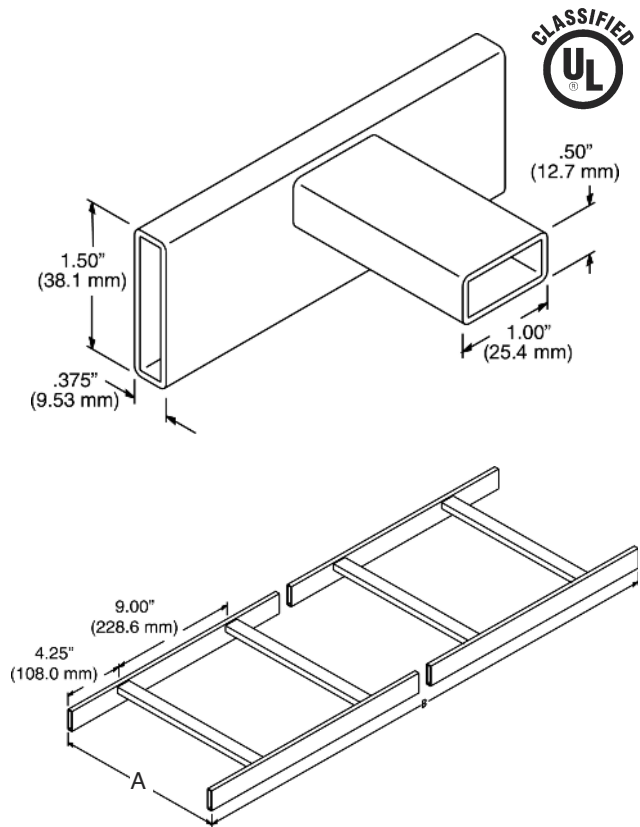


# Product Cut Sheet

## TELCO-STYLE CABLE RUNWAY

Similar in construction to our Universal Cable Runway (10250 Series). The side stringers are 1 1/2" x 3/8" x .065" (38 mm x 9.53 mm x 1.65 mm) and the cross members are 1/2" x 1" x .065" (12.7 mm x 30 mm x 1.65 mm) welded at 9" (230 mm) intervals.

- The overall length is 9' 8-1/2" / 116.5" (2959 mm) or 4' 5-1/2" / 53.5" (1359 mm) to comply with TELCO-Style standards
- Individually boxed to prevent scratching and damage
- Installation Best Practices includes Runway Elevation Kit (page 6-19)



*Note: Shown in two sections for illustrative purposes, actual product is one piece.*

| Part Number | Width (Dim. A)<br>in (mm) | Length (Dim. B)<br>in (mm) |
|-------------|---------------------------|----------------------------|
| 11252-X06   | 6 (150)                   | 9' 8-1/2 (2959)            |
| 11252-X09   | 9 (230)                   | 9' 8-1/2 (2959)            |
| 11252-X10   | 10 (250)                  | 9' 8-1/2 (2959)            |
| 11252-X12   | 12 (300)                  | 9' 8-1/2 (2959)            |
| 11252-X13   | 12 (300)                  | 4' 5-1/2 (1359)            |
| 11252-X15   | 15 (380)                  | 9' 8-1/2 (2959)            |
| 11252-X18   | 18 (460)                  | 9' 8-1/2 (2959)            |
| 11252-X20   | 20 (510)                  | 9' 8-1/2 (2959)            |

*X=color: 1=Gray, 2=Computer Beige, 7=Black, E=Glacier White.*

800-834-4969 in U.S. & Canada • [www.chatsworth.com](http://www.chatsworth.com)



CHATSWORTH PRODUCTS

©2013 Chatsworth Products, Inc. All rights reserved. CPI, CPI Passive Cooling, GlobalFrame, MegaFrame, Saf-T-Grip, Seismic Frame, SlimFrame, TeraFrame, Cube-IT Plus, Evolution, OnTrac, Velocity and QuadraRack are federally registered trademarks of Chatsworth Products. eConnect and Simply Efficient are trademarks of Chatsworth Products. All other trademarks belong to their respective companies. 6/13