

Product Cut Sheet

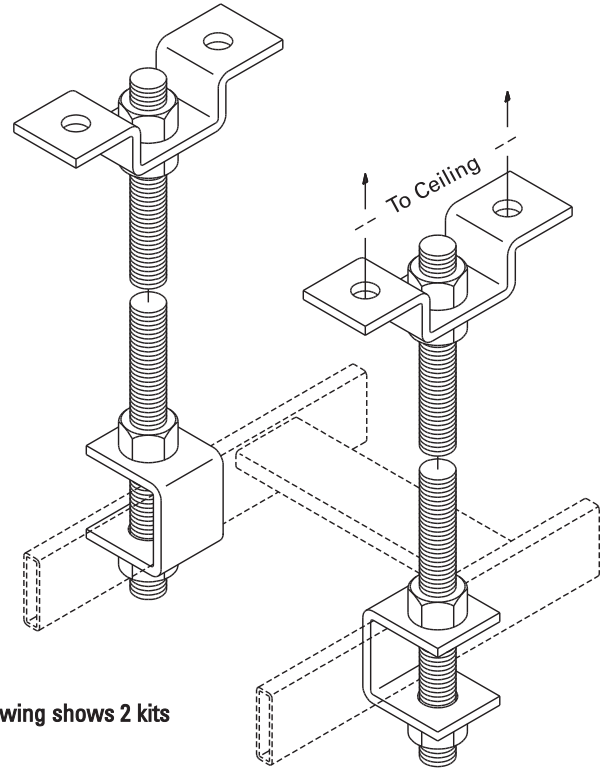
THREADED CEILING KIT

Used to suspend Cable Runway from the ceiling. Material is steel, finished with Gold over zinc plating.

Kit consists of:

- (1) ceiling support bracket
- (1) either 3/8-16 x 6', 5/8-11 x 6', M10 x 2M or M16 x 2M threaded rod
- (1) runway support bracket
- (4) either 3/8-16, 5/8-11, M10 or M16 hex nuts

Note: Recommended spacing between ceiling kits is 5' (1.5 m). The ceiling hole diameter for P/N 11310 is .375" (9.5 mm) for 3/8" or M10 rod; .500" (12.7 mm) for 5/8" or M16 rod.



Drawing shows 2 kits

Part Number	Description	Shipping Weight lb (kg)
11310-001	Threaded Ceiling Kit, 3/8" Rod	3 (1.4)
11310-003	Threaded Ceiling Kit, 5/8" Rod	7 (3.2)
11310-093	Threaded Ceiling Kit, M10 x 2M	7 (3.2)
11310-094	Threaded Ceiling Kit, M16 x 2M	7 (3.2)

800-834-4969 in U.S. & Canada • www.chatsworth.com



CHATSWORTH PRODUCTS, INC.

©2010 Chatsworth Products, Inc. All rights reserved. CPI, CPI Passive Cooling, Saf-T-Grip, Seismic Frame, SlimFrame, MegaFrame and TeraFrame are federally registered trademarks of Chatsworth Products, Inc. Cube-iT Plus, Evolution, OnTrac, QuadraRack and Simply Efficient are trademarks of Chatsworth Products, Inc. All other trademarks belong to their respective companies. 04/10