

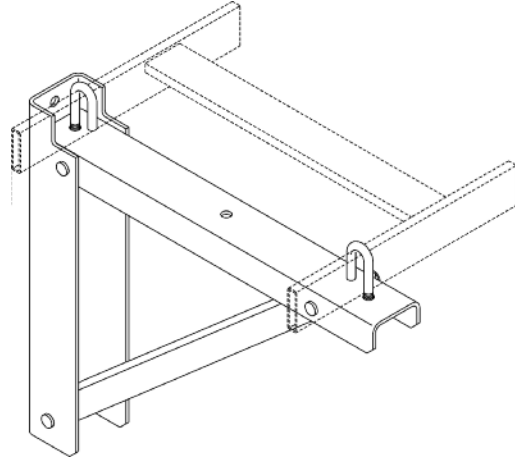
# Product Cut Sheet

## TRIANGULAR SUPPORT BRACKET, STEEL

Triangular Support Bracket provides wall support for cable runway. Made of cold rolled steel. Load rating is 400 lb (181.4 kg).

**Kit consists of:**

- (1) vertical wall-mounting bracket
- (1) runway support channel
- (1) angle support channel
- (3) clevis pins (5/16" diameter) & cotter pins
- (2) 5/16-18 x 2 1/4" J-bolts
- (2) 5/16-18 hex nuts & 5/16 lock washers



Part Number	Runway Widths in (mm)	Shipping Weight lb (kg)
11746-X12	6, 12 (150, 300)	5 (2.3)
11746-X18	18 (460)	8 (3.6)
11746-X24	24 (610)	9 (4.1)

*X=color: 0=Gold, 1=Gray, 2=Computer Beige, 7=Black, E=Glacier White. Kits have gold colored hardware. Gray (-1) and Black (-7) kits have black colored hardware.*

800-834-4969 in U.S. & Canada • [www.chatsworth.com](http://www.chatsworth.com)



**CHATSWORTH PRODUCTS**

©2013 Chatsworth Products, Inc. All rights reserved. CPI, CPI Passive Cooling, GlobalFrame, MegaFrame, Saf-T-Grip, Seismic Frame, SlimFrame, TeraFrame, Cube-IT Plus, Evolution, OnTrac, Velocity and QuadraRack are federally registered trademarks of Chatsworth Products. eConnect and Simply Efficient are trademarks of Chatsworth Products. All other trademarks belong to their respective companies. 6/13