

Product Cut Sheet

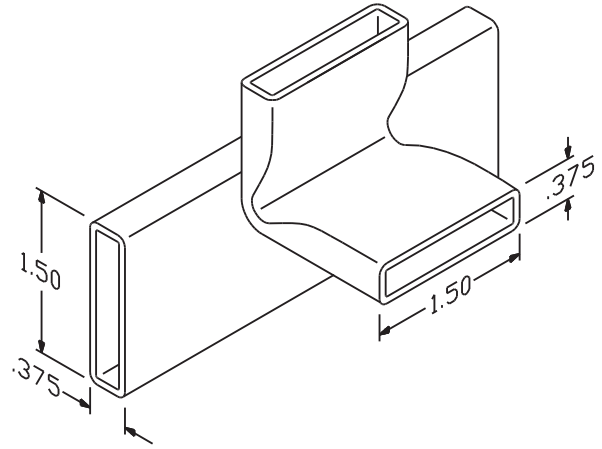
TROUGH CABLE RUNWAY

Features rubber-capped vertical members on both sides which form a trough to accommodate larger cable runs. Wall is .065" thick.

- Use with heavy-duty splice kits (11299-001, 11298-001)

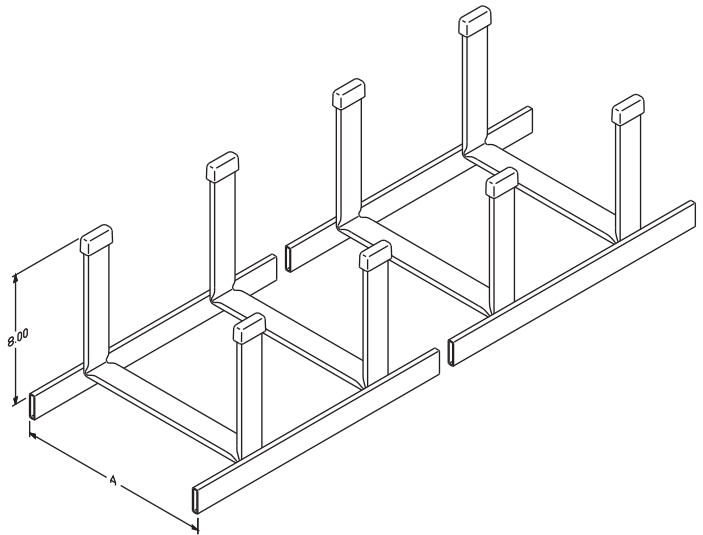
9' 11-1/2" Long, 12" Spacing Between Cross Members

Part Number Gray	Part Number White	Part Number Black	Width (Dim. A)
10692-109	10692-209	10692-709	9"
10692-110	10692-210	10692-710	10"
10692-112	10692-212	10692-712	12"
10692-115	10692-215	10692-715	15"
10692-118	10692-218	10692-718	18"



9' 8-1/2" Long, 9" Spacing Between Cross Members

Part Number Gray	Part Number White	Part Number Black	Width (Dim. A)
10693-109	10693-209	10693-709	9"
10693-110	10693-210	10693-710	10"
10693-112	10693-212	10693-712	12"
10693-115	10693-215	10693-715	15"
10693-118	10693-218	10693-718	18"



800-834-4969 in U.S. & Canada • www.chatsworth.com



CHATSWORTH PRODUCTS, INC.

©2010 Chatsworth Products, Inc. All rights reserved. CPI, CPI Passive Cooling, MegaFrame, Saf-T-Grip, Seismic Frame, SlimFrame, TeraFrame, Cube-iT Plus, Evolution, OnTrac, and QuadraRack are federally registered trademarks of Chatsworth Products, Inc. GlobalFrame, Simply Efficient and Velocity are trademarks of Chatsworth Products, Inc. All other trademarks belong to their respective companies. 12/10