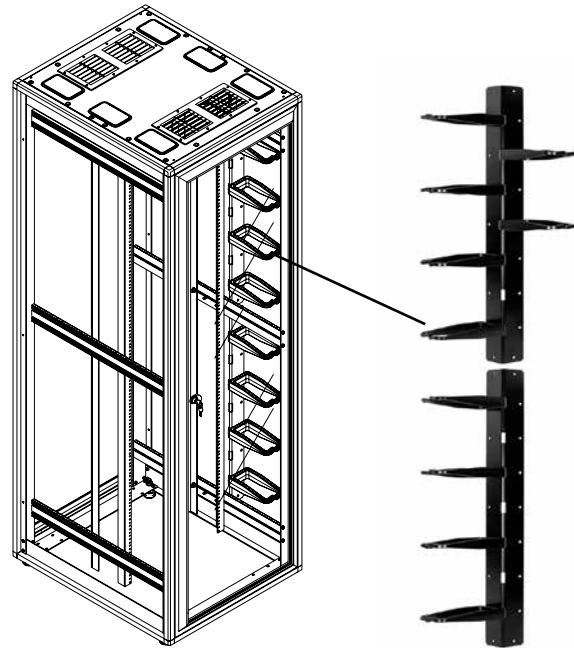


MegaFrame Vertical Cabling Ring Section

The Vertical Cable Manager provides cable management in addition to the Integrated Cable Manager. Available for 72", 78" and 84" (1830 mm, 1980 mm and 2130 mm) cabinets.

- Includes one pair of sections and eight rings
- Large 5.5"D X 2.3"W (140 mm x 58 mm) heavy duty plastic rings with rounded edges organize and protect cable sheaths
- Ships pre-assembled
- Position anywhere along horizontal mounting rails
- Use with MegaFrame Series Cabinets. Use with SlimFrame when bayed without side panels



Rings on the MegaFrame Vertical Cable Manager can be oriented in parallel or perpendicular to the cabinet's mounting rails. Use the Manager as show near the rear of the cabinet to create two pathways for cabling with one manager.

ORDERING INFORMATION

Part Number	Description	Shipping Weight lb (kg)
12465-X05	Cabling Ring Section, 72"H (1830 mm), Pair	7 (3.2)
12465-X06	Cabling Ring Section, 78"H (1980 mm), Pair	7 (3.2)
12465-X07	Cabling Ring Section, 84"H (2130 mm), Pair	7 (3.2)
14068-701	8 Cable Ring Kit, Black	3 (1.4)

Notes: x=Color; 1=Gray, 2=Computer Beige, 7=Black. Rings are black.

For product CSI Specs, visit the Support & Downloads page on www.chatsworth.com.

US & Canada

+1-800-834-4969
Toronto, Ontario, Canada
+905-850-7770
chatsworth.com
techsupport@chatsworth.com

Latin America

+52-55-5203-7525
Toll Free within Mexico
01-800-01-7592
chatsworth.com.co

Europe

+44-1628-524-834
chatsworthproducts.co.uk

Middle East & Africa

Dubai, UAE
+971-4-2602125
chatsworth.ae

Asia Pacific

+86 21 6880-0266
chatsworth.com.cn



CHATSWORTH
PRODUCTS