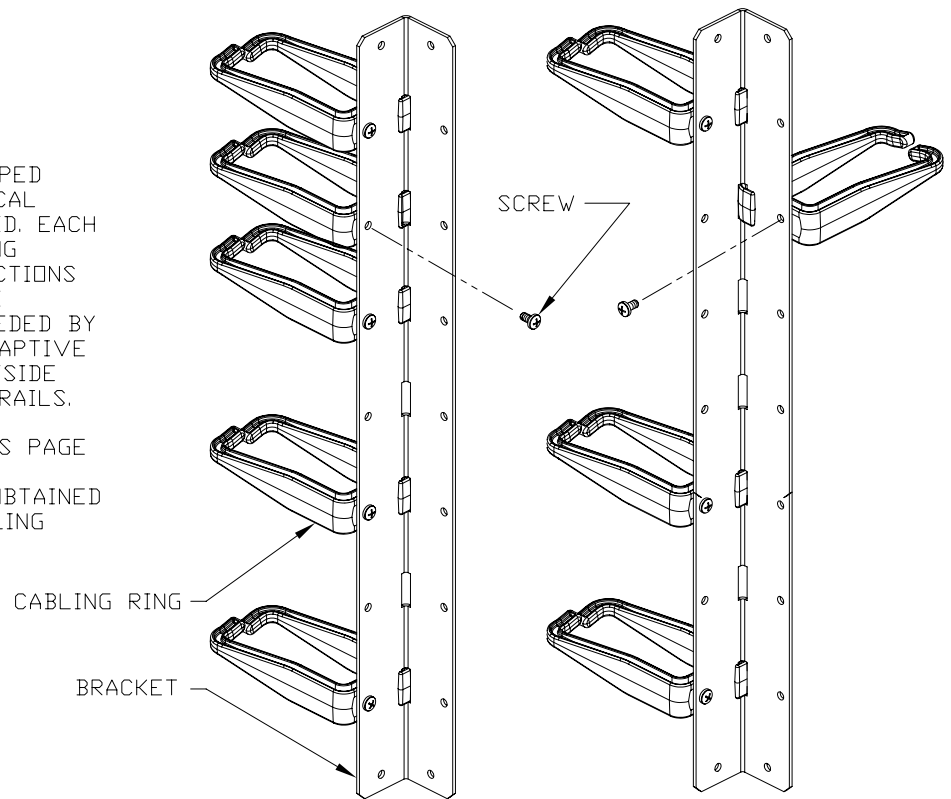




SCREW, 1/4-15 X 1/2,  
HI-LO, CROSS DRIVE,  
PAN HEAD  
(P/N 025-902009-007)



1. ALL CABINETS AND FRAMES ARE SHIPPED FROM THE FACTORY WITH ONE VERTICAL CABLING RING SECTION PRE-INSTALLED. EACH 12465 SERIES VERTICAL CABLING RING SECTION CONSISTS OF A PAIR OF SECTIONS - ONE UPPER AND ONE LOWER. THESE SECTIONS CAN BE POSITIONED AS NEEDED BY MOUNTING THEM TO PRE-INSTALLED CAPTIVE NUTS LOCATED IN SLOTS ON THE OUTSIDE FACE OF THE HORIZONTAL MOUNTING RAILS.
2. SEE ADDITIONAL INFORMATION ON THIS PAGE REGARDING MOVING CABLING RINGS. ADDITIONAL CABLING RINGS CAN BE OBTAINED BY ORDERING THE 14068 SERIES CABLING RING ACCESSORY KIT.



CABLING RINGS CAN BE MOVED TO NEW POSITIONS ON BRACKET AS SHOWN. RINGS CAN BE MOUNTED IN EITHER OF TWO ORIENTATIONS THAT ARE PERPENDICULAR TO ONE ANOTHER.

RINGS ON THE 12465 SERIES VERTICAL CABLING RING SECTION PROVIDE THE FOLLOWING BENEFITS WHEN MANAGING VERTICAL CABLE RUNS IN THE MEGAFRAME CABINET OR FRAME:

1. LARGE, U-SHAPED RINGS MADE OF TOUGH MOLDED PLASTIC ALLOW CABLES TO BE EASILY ADDED.
2. ROUNDED EDGES ON RINGS PROTECT CABLE SHEATHS.
3. RINGS ARE SECURELY ATTACHED WITH ONE SCREW AND A TAB/SLOT FEATURE SO THEY ARE EASY TO REMOVE OR ADD.
4. TWO CABLE PATHWAYS CAN BE CREATED ON ONE CABLING RING SECTION - ONE VERTICAL CABLE RUN CAN BE INSIDE THE EQUIPMENT MOUNTING AREA AND ANOTHER CAN BE OUTSIDE THE EQUIPMENT MOUNTING AREA.
5. CABLE TRANSITIONS CAN BE BETTER MANAGED BECAUSE RINGS CAN BE MOUNTED IN EITHER OF TWO ORIENTATIONS THAT ARE PERPENDICULAR TO ONE ANOTHER.



### INSTALLATION INSTR CABLING RING SECTION, VERTICAL

THIS DRAWING CONTAINS INFORMATION PROPRIETARY TO CHATSWORTH PRODUCTS, INC. ANY REPRODUCTION DISCLOSURE OR USE OF THIS DRAWING IS EXPRESSLY FORBIDDEN EXCEPT AS AGREED TO IN WRITING BY CHATSWORTH PRODUCTS, INC.