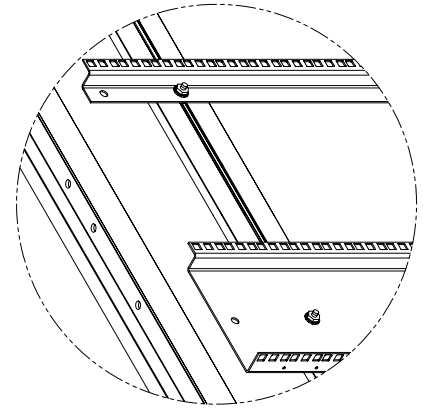


DETAIL A



CPI CHATSWORTH PRODUCTS, INC.

INSTALLATION INSTR SUN STYLE MOUNTING HALF RAIL KIT

THIS DRAWING CONTAINS INFORMATION PROPRIETARY TO CHATSWORTH PRODUCTS, INC. ANY REPRODUCTION, DISCLOSURE OR USE OF THIS DRAWING IS EXPRESSLY FORBIDDEN EXCEPT AS AGREED TO IN WRITING BY CHATSWORTH PRODUCTS, INC.