

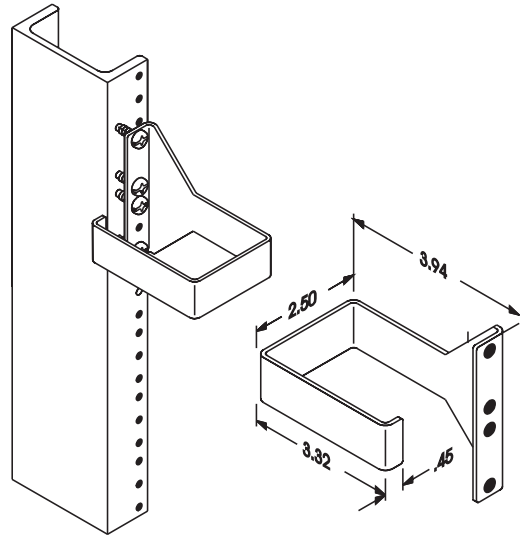
Product Information Sheet

VERTICAL WIRE MANAGEMENT LOOP

CPI Vertical Wire Management Loops are used to organize patch cords and cabling. Maintains vertical wire management for one or two racks mounted together. Mounting hardware not included

- Does not protrude into rack mounting space
- .090" aluminum construction coated with black plastic to prevent damage to cable jackets

Part Number	Color	Shipping Weight
13079-001	Black	1 lb



800-834-4969 in US & Canada • www.chatsworth.com



CHATSWORTH PRODUCTS, INC.

©2002 Chatsworth Products, Inc. 5/02/GT